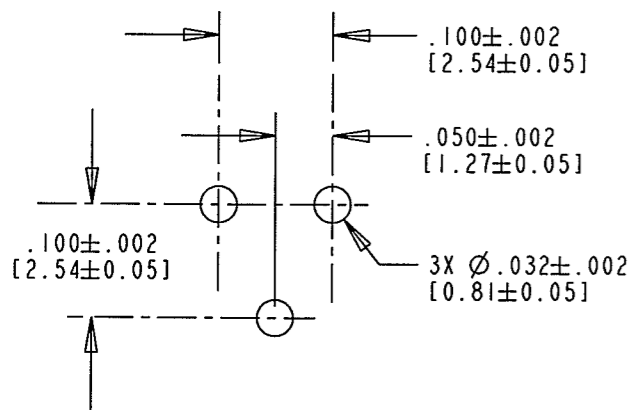
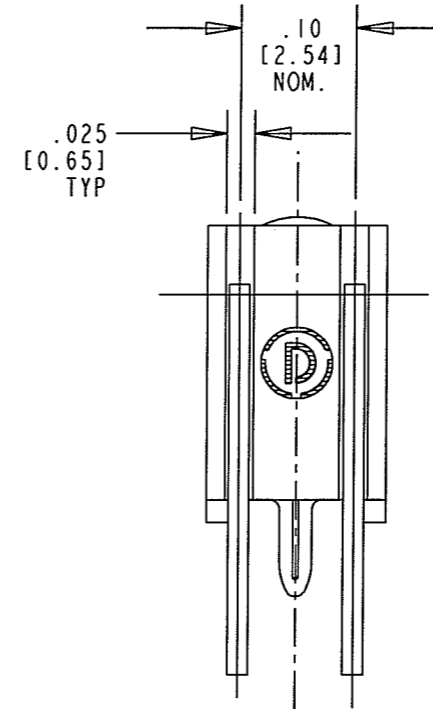
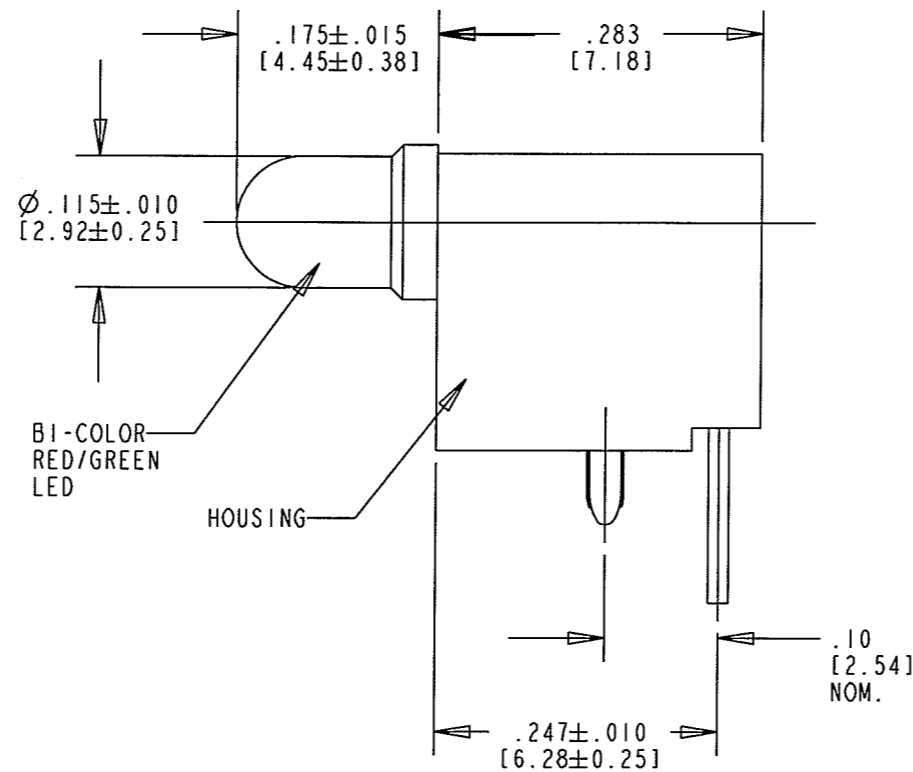
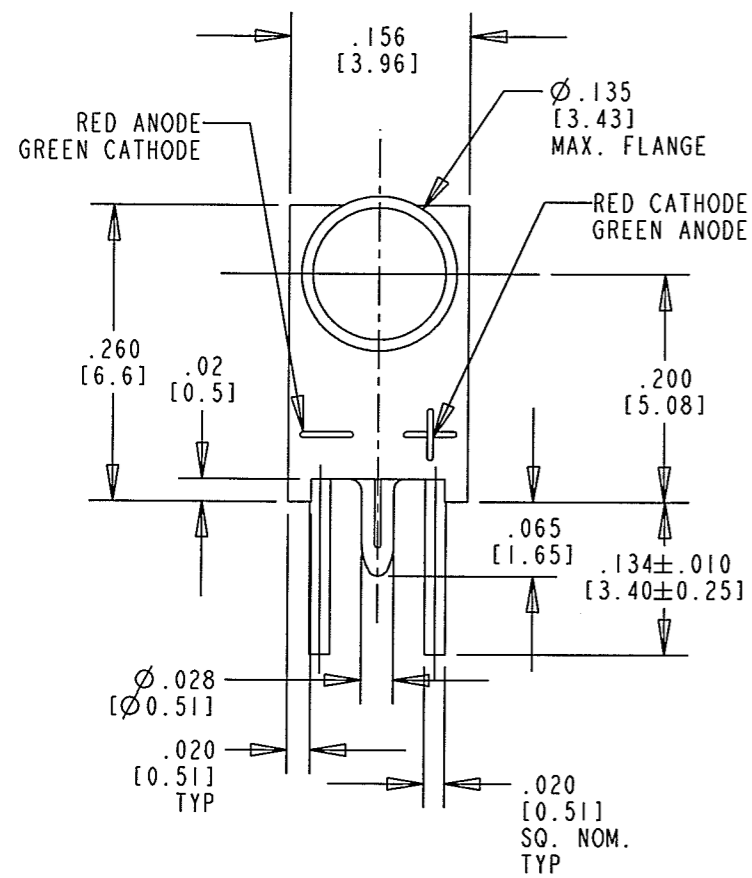


REV	ECN NO	REVISIONS	DRN	CKD	APP	DATE
A		NEW RELEASE	SM	N.O.	MES	4-17-07
B		".134±.010" WAS ".134".	KLJ		M.D.	3-18-08



RECOMMENDED HOLE PATTERN

ABSOLUTE MAXIMUM RATINGS AT 25°C AMBIENT	
POWER DISSIPATION	100 mW
DERATE LINEARLY FROM 50°C	.40 mA/°C
CONTINUOUS FORWARD CURRENT	30 mA
PEAK FORWARD CURRENT (10 ms PULSE WIDTH, 1/10 DUTY)	120 mA
PEAK REVERSE VOLTAGE	5 V
LEAD SOLDERING TEMPERATURE, 6 SEC., 1/16" FROM BASE	260° C
OPERATING TEMPERATURE	-55° C TO +100° C
STORAGE TEMPERATURE	-55° C TO +100° C

NOTES:

- LEADS TO FIT INTO HOLES SPACED AS PER HOLE PATTERN.
- LED LEAD SPACING DIMENSION IS MEASURED AT HOUSING EXIT.
- DIALIGHT PART NUMBER: 551-3011F.
- THIS ASSEMBLY CONTAINS ELECTROSTATIC DISCHARGE SENSITIVE DEVICES (ESDS). MAINTAIN ALL PRECAUTIONARY MEASURES DURING ASSEMBLY, HANDLING AND STORAGE IN ACCORDANCE WITH IPC-A-610.

RoHS Compliant 551-3011F Thru hole CBI with Pin

Part Numbers with the "F" suffix ending are RoHS Compliant. The bag packaging is marked with "RoHS Compliant" label or equivalent markings. Parts can be wave soldered, dip soldered or hand soldered using typical lead-free soldering process with max 260°C temp. for 5 sec.

PART NUMBER	COLOR	PEAK WAVELENGTH (nm)	VIEWING ANGLE (°) 2 @ 1/2	LUMINOUS INTENSITY (mcd) @ I _f = 10mA; 25°C		FORWARD VOLTAGE (V) @ I _f = 20mA; 25°C		REVERSE CURRENT (µA); 25°C
				MIN	TYP	TYP	MAX	MAX
551-3011F	RED	100	60	2.5	4.7	2.0	2.8	100
	GREEN			3.7	10.0	2.1		



ATTENTION:
OBSERVE PRECAUTIONS FOR HANDLING ELECTROSTATIC SENSITIVE DEVICES

THIS DRAWING AND THE CONTENTS HEREIN ARE CONFIDENTIAL AND THE SOLE PROPERTY OF DIALIGHT. REPRODUCTION OF THIS DRAWING OR CONSTRUCTION OF ANY PARTS WITHIN THIS DRAWING ARE FORBIDDEN WITHOUT THE WRITTEN CONSENT OF DIALIGHT.		
SCALE: DRAWING SCALE ALL DIM'S IN: INCHES (MM)	DRAWING NUMBER C-17487	REV B
TOLERANCES: UNLESS OTHERWISE SPECIFIED FRACTIONS: ±1/64 DECIMALS (.XX): ±.01 DECIMALS (.XXX): ±.005 DECIMALS (.XXXX): ±.0005 ANGLES: ±1°	TITLE 3 mm CBI, .200 C, R/G, BI-COLOR, RoHS COMPLIANT	
FINISH:	MATERIAL	
FSCM 83330	Dialight 1501 ROUTE 34 SOUTH FARMINGDALE, NJ 07727	
SHEET 1 OF 1 FAMILY TABLE:		

Mouser Electronics

Authorized Distributor

Click to View Pricing, Inventory, Delivery & Lifecycle Information:

[Dialight:](#)

[551-3011F](#)