

| PART NO.*    | COLOR        |
|--------------|--------------|
| 597-7701-2xx | Red/Green    |
| 597-7721-2xx | Yellow/Green |

**Features**

- Compatible with automatic placement equipment
- Compatible with infrared reflow processes
- Packaged on 8mm tape, 7" reels (meets EIA-481-1 standard)
- Helps to eliminate mixed technology PC board processing
- Compatible with Dialight's Optopipe™ Series light pipes

**\*ORDERING INFORMATION**

**597-77x1-2xx**

packaging option  $\uparrow$

|    |                        |
|----|------------------------|
| 02 | 20 pieces on tape      |
| 07 | 7" reel, 1500 pcs/reel |

| ABSOLUTE MAXIMUM RATINGS (T <sub>A</sub> =25°C) | Red/Green                                  | Yellow/Green |
|-------------------------------------------------|--------------------------------------------|--------------|
|                                                 | -7701                                      | -7721        |
| Power Dissipation (mW)                          | 100/100                                    | 60/100       |
| Forward Current (mA)                            | 30/30                                      | 20/30        |
| Derating (mA/°C) From 50°C                      | .6/.6                                      | .4/.6        |
| Peak Current (mA)                               | 120/120                                    | 80/100       |
| Pulse width 10 μs                               |                                            |              |
| Operating Temperature (°C)                      | -55/+100                                   | -55/+100     |
| Storage Temperature (°C)                        | -55/+100                                   | -55/+100     |
| Soldering Profile                               | 235°C peak 15 seconds, 185° for 90 seconds |              |

Solder Adherence per MIL-STD-202E, Method 208C

| OPERATING CHARACTERISTICS (T <sub>A</sub> =25°C) |         | Red/Green | Yellow/Green |
|--------------------------------------------------|---------|-----------|--------------|
|                                                  |         | -7701     | -7721        |
| Luminous Intensity (mcd)                         | Min.    | 8/8       | 8/8          |
|                                                  | Typical | 16/16     | 16/16        |
| Peak Wavelength (nm)                             | Typical | 630/565   | 585/565      |
| λ Peak                                           |         |           |              |
| Viewing Angle (2Θ <sub>1/2</sub> )               | Typical | 120°      | 120°         |
| Forward Voltage (V)                              | Typical | 2/2.1     | 1.8/2.1      |
|                                                  | Max.    | 2.6/2.6   | 2.7/2.6      |

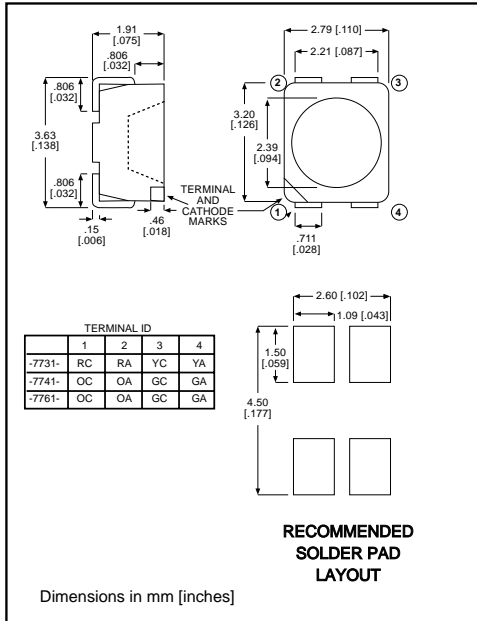
Θ 1/2 is the off axis angle at which the luminous intensity is half the axial luminous intensity



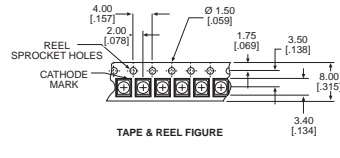
# Surface Mount LED Bi-Color

# Dialight

597-7731-2xx  
597-7741-2xx  
597-7761-2xx



### TAPING SPECIFICATIONS (rear side of tape)



### PART NO.\*

### COLOR

597-7731-2xx Red/Yellow  
597-7741-2xx Orange/Green  
597-7761-2xx Orange/  
Pure Green



### Features

- Compatible with automatic placement equipment
- Compatible with infrared reflow processes
- Packaged on 8mm tape, 7" reels (meets EIA-RS-481-1 standard)
- Helps to eliminate mixed technology PC board processing
- Compatible with Dialight's Optopipe™ Series light pipes

### \*ORDERING INFORMATION

**597-77x1-2xx**

packaging option

|    |                        |
|----|------------------------|
| 02 | 20 pieces on tape      |
| 07 | 7" reel, 2000 pcs/reel |

| ABSOLUTE MAXIMUM RATINGS (T <sub>A</sub> =25°C) | Red/Yellow                                 | Orange/Green | Orange/Pure Green |
|-------------------------------------------------|--------------------------------------------|--------------|-------------------|
|                                                 | -7731                                      | -7741        | -7761             |
| Power Dissipation (mW)                          | 100/100                                    | 100/100      | 100/100           |
| Forward Current (mA)                            | 30/30                                      | 30/30        | 30/30             |
| Derating (mA/°C) From 55°C                      | .66/.66                                    | .66/.66      | .66/.66           |
| Peak Current (mA)                               | 500                                        | 500          | 500               |
| Pulse width 10 μs                               |                                            |              |                   |
| Operating Temperature (°C)                      | -55/+100                                   | -55/+100     | -55/+100          |
| Storage Temperature (°C)                        | -55/+100                                   | -55/+100     | -55/+100          |
| Soldering Profile                               | 235°C peak 15 seconds, 185° for 90 seconds |              |                   |

Solder Adherence per MIL-STD-202E, Method 208C

| OPERATING CHARACTERISTICS (T <sub>A</sub> =25°C) | Red/Yellow      | Orange/Green | Orange/Pure Green |
|--------------------------------------------------|-----------------|--------------|-------------------|
|                                                  | -7731           | -7741        | -7761             |
| Luminous Intensity (mcd)                         | Min. 2.5/2.5    | 4/4          | 2.5/2.5           |
| I <sub>F</sub> =10mA                             | Typical 7.3/6.8 | 8/8          | 5/5               |
| Peak Wavelength (nm)                             | Typical 635/586 | 610/565      | 610/557           |
| λ <sub>Peak</sub>                                |                 |              |                   |
| Viewing Angle (2θ ½)                             | Typical 120°    | 120°         | 120°              |
| Forward Voltage (V)                              | Typical 2/2     | 2/2          | 2/2               |
| I <sub>F</sub> =10mA                             | Max. 2.6/2.6    | 2.6/2.6      | 2.6/2.6           |
| Reverse Voltage (V), I <sub>R</sub> =10μA        | Min. 5          | 5            | 5                 |

θ<sup>1/2</sup> is the off axis angle at which the luminous intensity is half the axial luminous intensity

# Mouser Electronics

Authorized Distributor

Click to View Pricing, Inventory, Delivery & Lifecycle Information:

Dialight:

[597-7701-207](#) [597-7721-207](#) [597-7701-202F](#)