

Kingbright

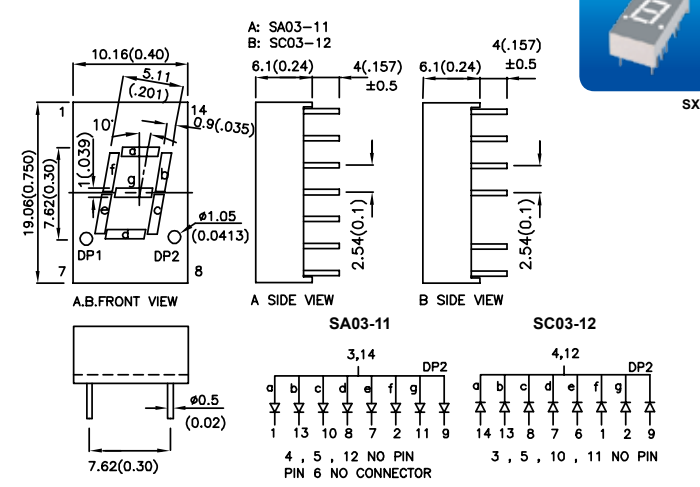
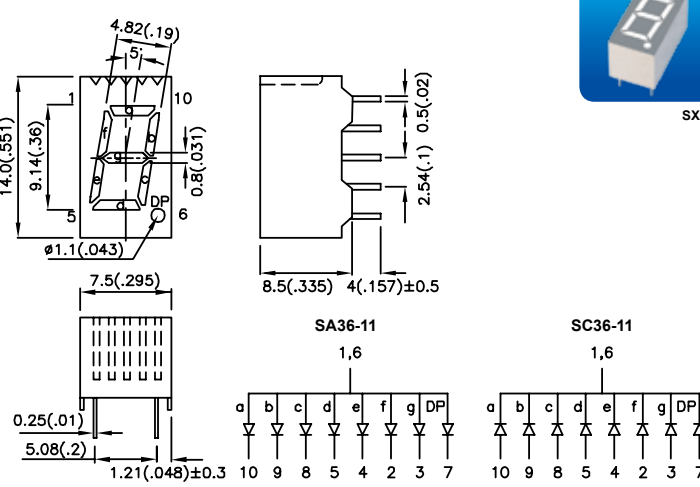
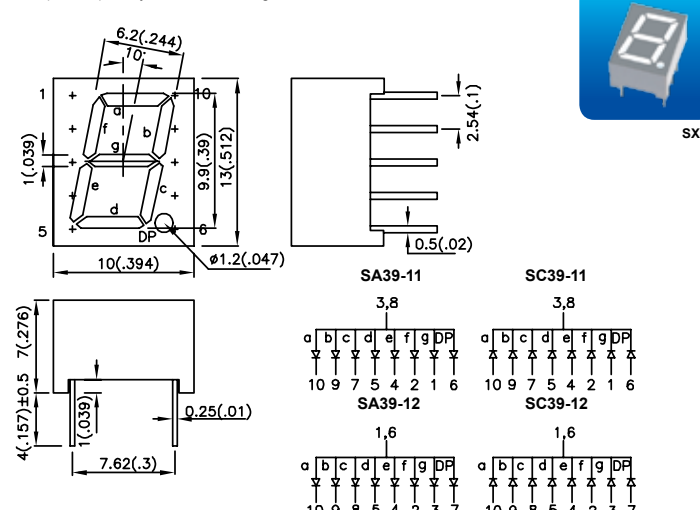
Optoelectronic Components



Through-Hole Display **47**


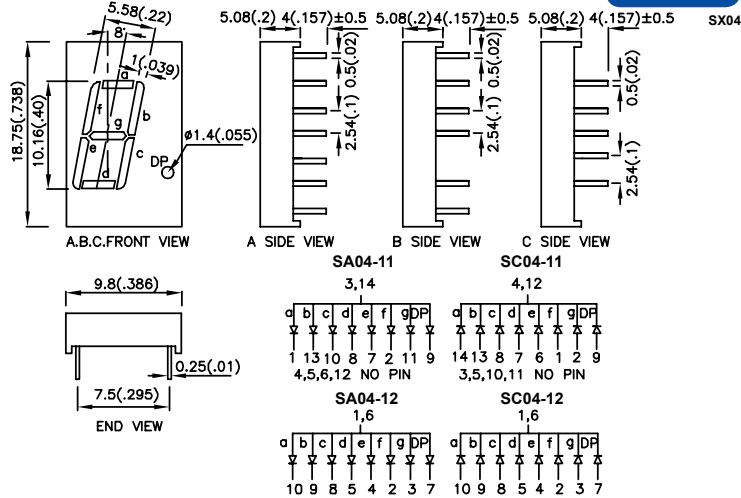

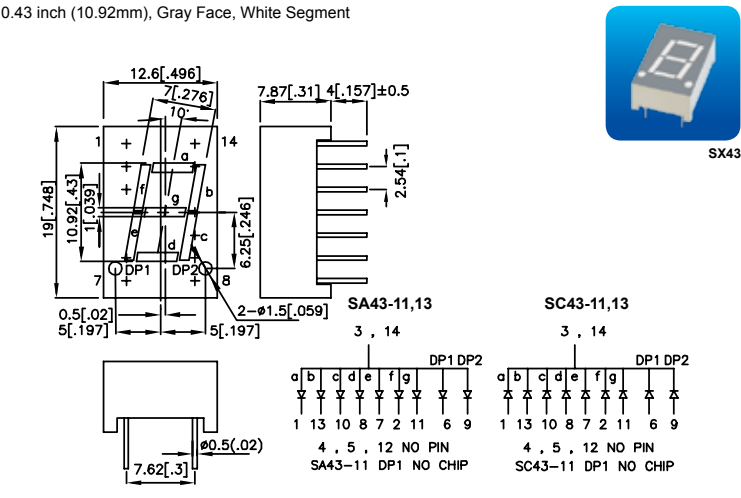

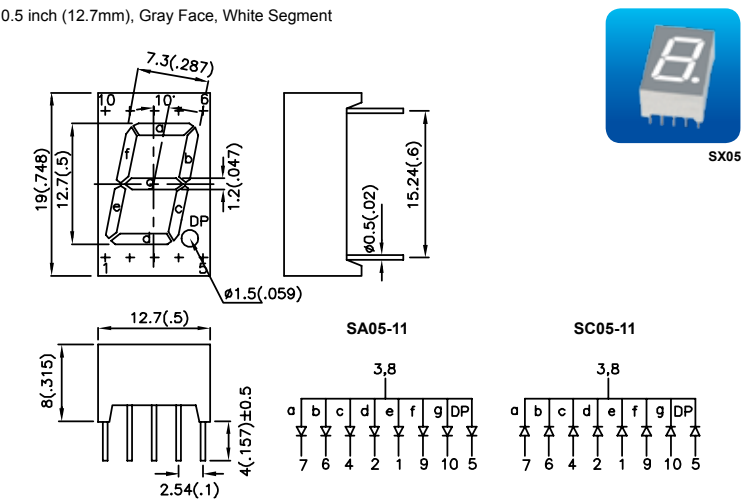

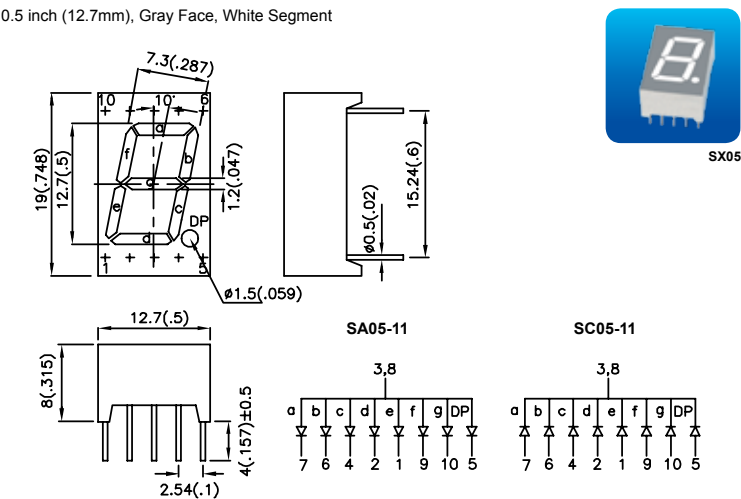
Single Digit 7-Segment Through-Hole Display	47
Dual Digit 7-Segment Through-Hole Display	53
Three Digit 7-Segment Through-Hole Display	55
Four Digit 7-Segment Through-Hole Display	57
Alphanumeric Through-Hole Display	60
Dot Matrix	63

SINGLE DIGIT 7-SEGMENT THROUGH-HOLE DISPLAY

PART NUMBER		MATERIAL	λ D (nm)	Iv (ucd) @10mA		DIMENSION
COMMON ANODE	COMMON CATHODE			MIN.	TYP.	
SA03-11SEKWA	SC03-12SEKWA	AlGaInP	601	44000	154400	<p>0.3 inch (7.62mm), Gray Face, White Segment</p>  <p>A: SA03-11 B: SC03-12</p> <p>SA03-11 3,14 DP2 a b c d e f g 1 13 10 8 7 2 11 9</p> <p>SC03-12 4,12 DP2 a b c d e f g 14 13 8 7 6 1 2 9</p> <p>4, 5, 12 NO PIN PIN 6 NO CONNECTOR</p>
SA03-11SURKWA	SC03-12SURKWA	AlGaInP	630	12000	47000	
SA03-11SYKWA	SC03-12SYKWA	AlGaInP	590	44000	103500	
SA03-11CGKWA	SC03-12CGKWA	AlGaInP	570	12000	46000	
SA03-11SEKWA	SC03-12SEKWA	AlGaInP	601	18000	37000	
SA36-11SEKWA	SC36-11SEKWA	AlGaInP	601	18000	37000	<p>0.36 inch (9.14mm), Gray Face, White Segment</p>  <p>SA36-11 1,6 a b c d e f g DP 10 9 8 5 4 2 3 7</p> <p>SC36-11 1,6 a b c d e f g DP 10 9 8 5 4 2 3 7</p>
SA36-11SURKWA	SC36-11SURKWA	AlGaInP	630	12000	23000	
SA36-11SYKWA	SC36-11SYKWA	AlGaInP	590	18000	34800	
SA36-11CGKWA	SC36-11CGKWA	AlGaInP	570	8000	13800	
SA36-11SEKWA	SC36-11SEKWA	AlGaInP	601	18000	58500	
SA39-11SEKWA SA39-12SEKWA	SC39-11SEKWA SC39-12SEKWA	AlGaInP	601	18000	58500	<p>0.39 inch (9.9mm), Gray Face, White Segment</p>  <p>SA39-11 3,8 a b c d e f g DP 10 9 7 5 4 2 1 6</p> <p>SC39-11 3,8 a b c d e f g DP 10 9 7 5 4 2 1 6</p> <p>SA39-12 1,6 a b c d e f g DP 10 9 8 5 4 2 3 7</p> <p>SC39-12 1,6 a b c d e f g DP 10 9 8 5 4 2 3 7</p>
SA39-11SURKWA SA39-12SURKWA	SC39-11SURKWA SC39-12SURKWA	AlGaInP	630	12000	26000	
SA39-11SYKWA SA39-12SYKWA	SC39-11SYKWA SC39-12SYKWA	AlGaInP	590	12000	34000	
SA39-11CGKWA SA39-12CGKWA	SC39-11CGKWA SC39-12CGKWA	AlGaInP	570	8000	20800	
SA39-11SEKWA	SC39-11SEKWA	AlGaInP	601	18000	58500	

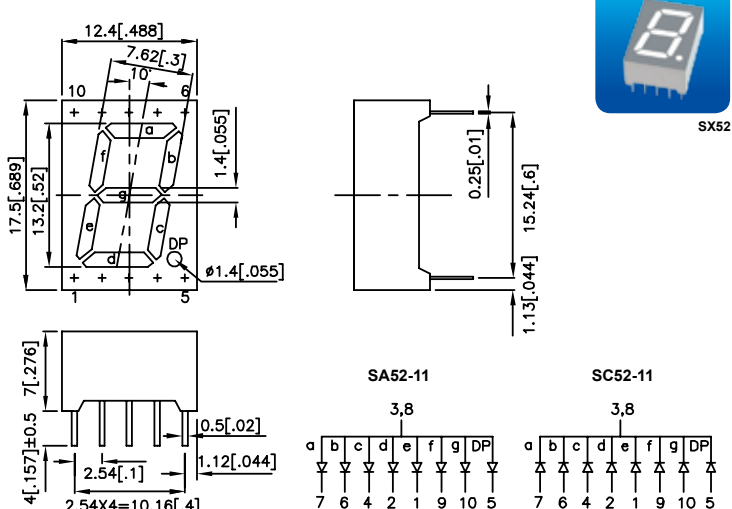
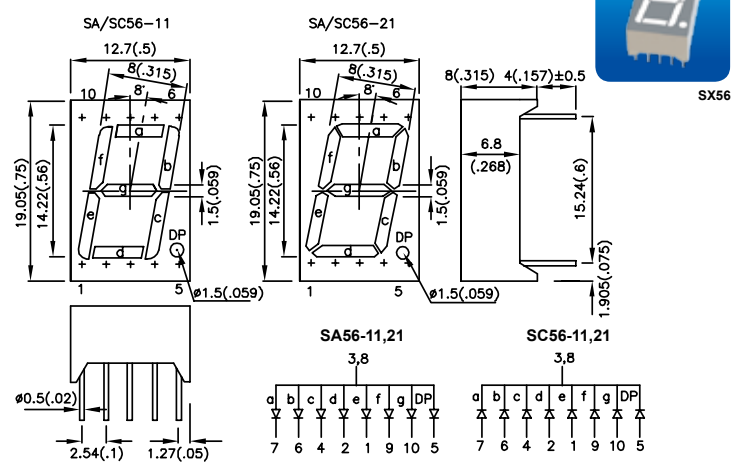
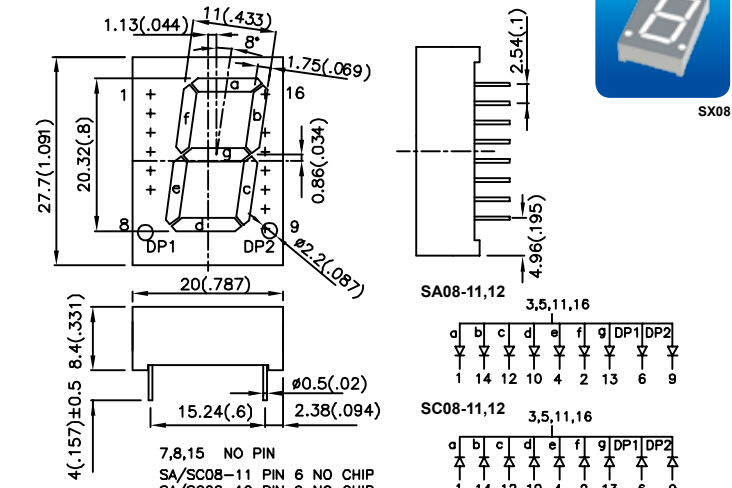
NOTES:
 1. All dimensions are in millimeters(inches).
 2. Tolerance is ±0.25mm(0.01") unless otherwise noted.

SINGLE DIGIT 7-SEGMENT THROUGH-HOLE DISPLAY

PART NUMBER		MATERIAL	λ D (nm)	Iv (ucd) @10mA		DIMENSION
COMMON ANODE	COMMON CATHODE			MIN.	TYP.	
SA04-11SEKWA SA04-12SEKWA	SC04-11SEKWA SC04-12SEKWA	AlGaInP	601	44000	160700	0.4 inch (10.16mm), Gray Face, White Segment A: SA04-11 B: SC04-11 C: SA/SC04-12  
SA04-11SURKWA SA04-12SURKWA	SC04-11SURKWA SC04-12SURKWA	AlGaInP	630	12000	31600	0.43 inch (10.92mm), Gray Face, White Segment  
SA04-11SYKWA SA04-12SYKWA	SC04-11SYKWA SC04-12SYKWA	AlGaInP	590	44000	92400	
SA04-11CGKWA SA04-12CGKWA	SC04-11CGKWA SC04-12CGKWA	AlGaInP	570	8000	25000	
SA43-11SEKWA SA43-13SEKWA	SC43-11SEKWA SC43-13SEKWA	AlGaInP	601	44000	153500	0.5 inch (12.7mm), Gray Face, White Segment  
SA43-11SURKWA SA43-13SURKWA	SC43-11SURKWA SC43-13SURKWA	AlGaInP	630	12000	55700	
SA43-11SYKWA SA43-13SYKWA	SC43-11SYKWA SC43-13SYKWA	AlGaInP	590	18000	95300	
SA43-11CGKWA SA43-13CGKWA	SC43-11CGKWA SC43-13CGKWA	AlGaInP	570	12000	38700	
SA05-11SEKWA	SC05-11SEKWA	AlGaInP	601	18000	64900	0.5 inch (12.7mm), Gray Face, White Segment  
SA05-11SURKWA	SC05-11SURKWA	AlGaInP	630	18000	30000	
SA05-11SYKWA	SC05-11SYKWA	AlGaInP	590	44000	116400	
SA05-11CGKWA	SC05-11CGKWA	AlGaInP	570	12000	34100	

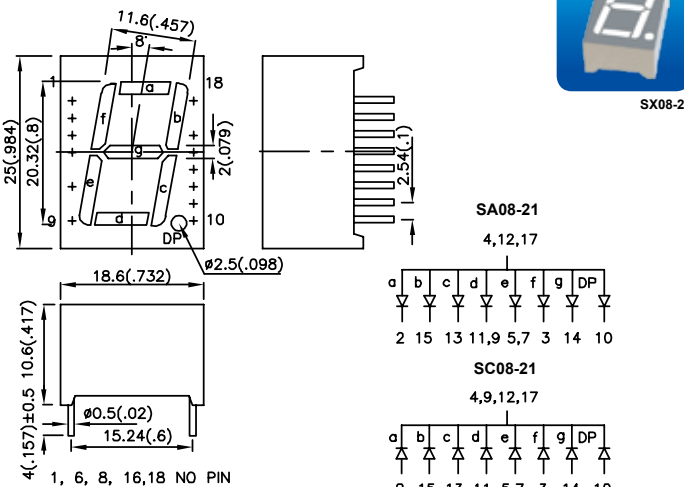
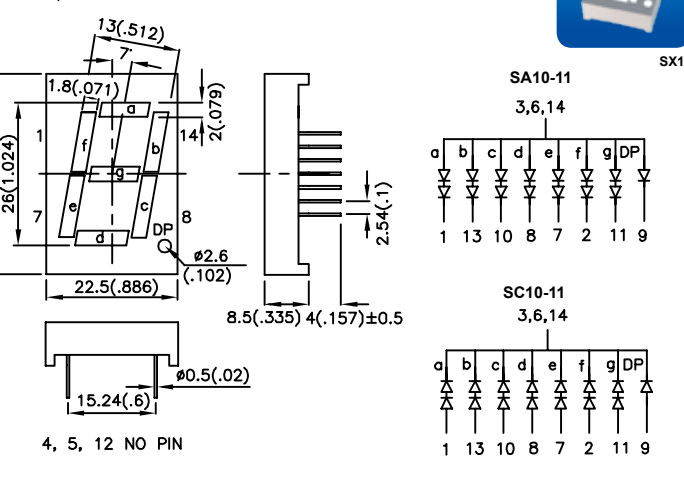
NOTES:
 1. All dimensions are in millimeters(inches).
 2. Tolerance is ±0.25mm(0.01") unless otherwise noted.

SINGLE DIGIT 7-SEGMENT THROUGH-HOLE DISPLAY

PART NUMBER		MATERIAL	λ D (nm)	Iv (ucd) @10mA		DIMENSION
COMMON ANODE	COMMON CATHODE			MIN.	TYP.	
SA52-11SEKWA	SC52-11SEKWA	AlGaInP	601	26000	159700	<p>0.52 inch (13.2mm), Gray Face, White Segment</p>  <p>SA52-11 and SC52-11 pinout diagrams showing segments a-g and DP, and pin numbers 1-10.</p>
SA52-11SURKWA	SC52-11SURKWA	AlGaInP	630	18000	35000	
SA52-11SYKWA	SC52-11SYKWA	AlGaInP	590	18000	65600	
SA52-11CGKWA	SC52-11CGKWA	AlGaInP	570	12000	45700	
SA56-11SEKWA SA56-21SEKWA	SC56-11SEKWA SC56-21SEKWA	AlGaInP	601	26000	114800	<p>0.56 inch (14.2mm), Gray Face, White Segment</p>  <p>SA56-11 and SC56-11 pinout diagrams showing segments a-g and DP, and pin numbers 1-10.</p>
SA56-11SURKWA SA56-21SURKWA	SC56-11SURKWA SC56-21SURKWA	AlGaInP	630	12000	39100	
SA56-11SYKWA SA56-21SYKWA	SC56-11SYKWA SC56-21SYKWA	AlGaInP	590	18000	54000	
SA56-11CGKWA SA56-21CGKWA	SC56-11CGKWA SC56-21CGKWA	AlGaInP	570	12000	35000	
SA08-11SEKWA SA08-12SEKWA	SC08-11SEKWA SC08-12SEKWA	AlGaInP	601	18000	80000	<p>0.8 inch (20.32mm), Gray Face, White Segment</p>  <p>SA08-11 and SC08-11 pinout diagrams showing segments a-g, DP1, DP2, and pin numbers 1-14.</p>
SA08-11SURKWA SA08-12SURKWA	SC08-11SURKWA SC08-12SURKWA	AlGaInP	630	18000	60600	
SA08-11SYKWA SA08-12SYKWA	SC08-11SYKWA SC08-12SYKWA	AlGaInP	590	26000	66500	
SA08-11CGKWA SA08-12CGKWA	SC08-11CGKWA SC08-12CGKWA	AlGaInP	570	12000	34400	


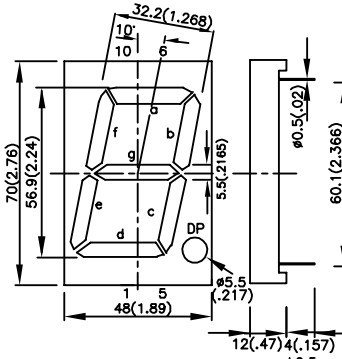
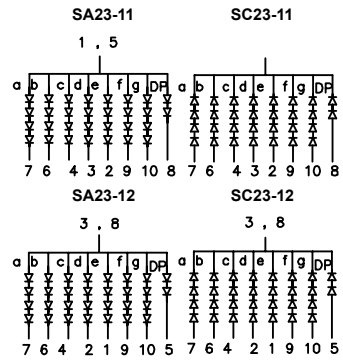
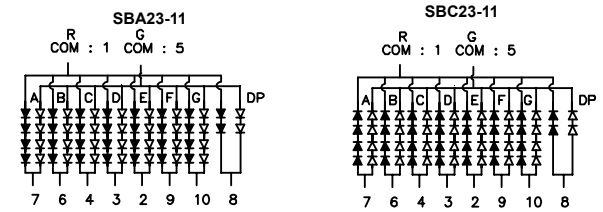

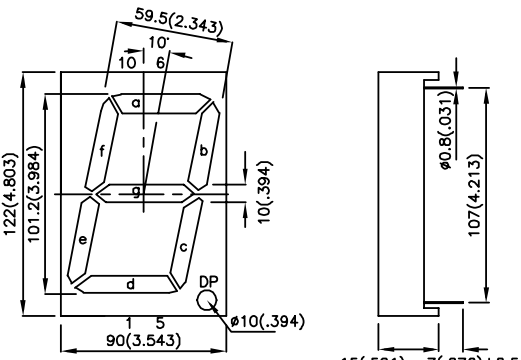
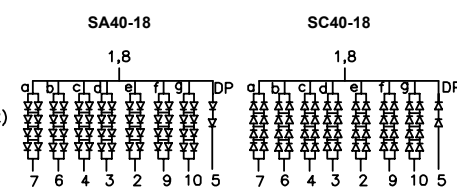
NOTES:
 1. All dimensions are in millimeters(inches).
 2. Tolerance is ±0.25mm(0.01") unless otherwise noted.

SINGLE DIGIT 7-SEGMENT THROUGH-HOLE DISPLAY

PART NUMBER		MATERIAL	λ D (nm)	Iv (ucd) @10mA		DIMENSION
COMMON ANODE	COMMON CATHODE			MIN.	TYP.	
SA08-21SEKWA	SC08-21SEKWA	AlGaInP	601	18000	75900	<p>0.8 inch (20.32mm), Gray Face, White Segment</p>  <p>SA08-21 4,12,17</p> <p>SC08-21 4,9,12,17</p>
SA08-21SURKWA	SC08-21SURKWA	AlGaInP	630	12000	31000	
SA08-21SYKWA	SC08-21SYKWA	AlGaInP	590	26000	49500	
SA08-21CGKWA	SC08-21CGKWA	AlGaInP	570	12000	34400	
SA10-11SEKWA SA10-21SEKWA	SC10-11SEKWA SC10-21SEKWA	AlGaInP	601	128000	443300	<p>1.0 inch (25.4mm), Gray Face, White Segment</p>  <p>SA10-11 3,6,14</p> <p>SC10-11 3,6,14</p>
SA10-11SURKWA SA10-21SURKWA	SC10-11SURKWA SC10-21SURKWA	AlGaInP	630	26000	102900	
SA10-11SYKWA SA10-21SYKWA	SC10-11SYKWA SC10-21SYKWA	AlGaInP	590	128000	403000	
SA10-11CGKWA SA10-21CGKWA	SC10-11CGKWA SC10-21CGKWA	AlGaInP	570	12000	62400	

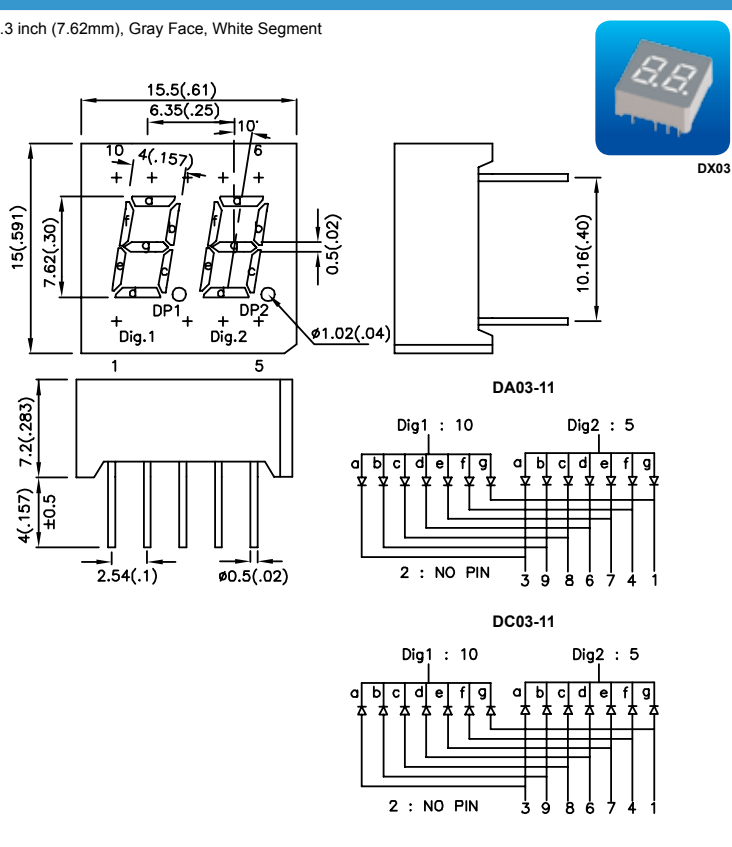
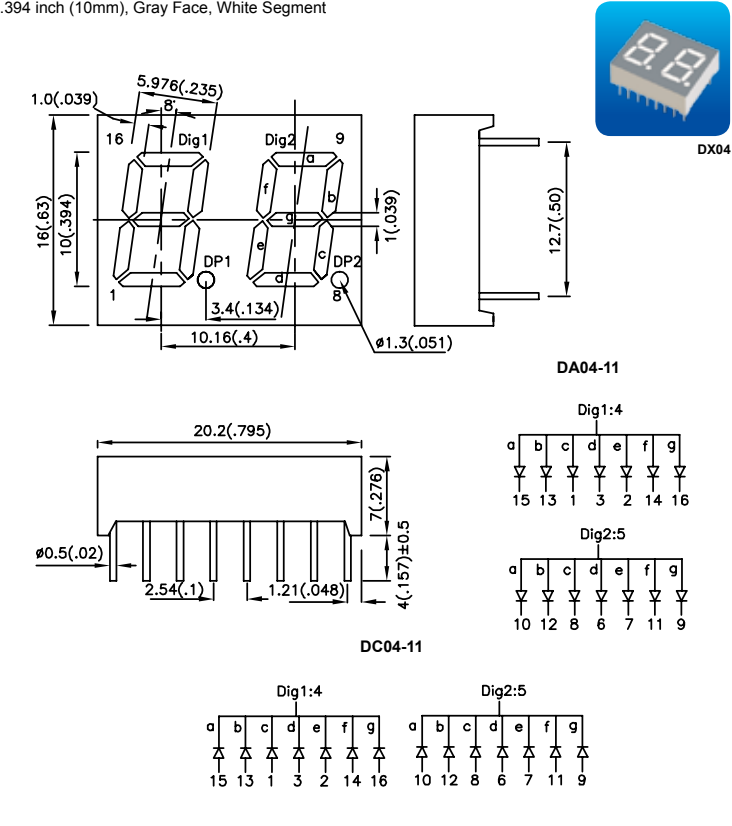
NOTES:
 1. All dimensions are in millimeters(inches).
 2. Tolerance is ±0.25mm(0.01") unless otherwise noted.

SINGLE DIGIT 7-SEGMENT THROUGH-HOLE DISPLAY

PART NUMBER		MATERIAL	λ D (nm)	Iv (ucd) @10mA		DIMENSION
COMMON ANODE	COMMON CATHODE			MIN.	TYP.	
SA23-11SEKWA SA23-12SEKWA	SC23-11SEKWA SC23-12SEKWA	AlGaInP	601	75000	368000	<p>2.24 inch (56.9mm), Gray Face, White Segment</p>  <p>SX23</p>  
SA23-11SURKWA SA23-12SURKWA	SC23-11SURKWA SC23-12SURKWA	AlGaInP	630	26000	270000	
SA23-11SYKWA SA23-12SYKWA	SC23-11SYKWA SC23-12SYKWA	AlGaInP	590	75000	287000	
SA23-11CGKWA SA23-12CGKWA	SC23-11CGKWA SC23-12CGKWA	AlGaInP	570	44000	200300	
SBA23-11 SURKCGKWA	SBC23-11 SURKCGKWA	AlGaInP	630	44000	270000	
		AlGaInP	570	44000	200300	
SA40-18SEKWA SA40-19SEKWA	SC40-18SEKWA SC40-19SEKWA	AlGaInP	601	75000	310000	<p>3.984 inch (101.2mm), Gray Face, White Segment</p>  <p>SX40</p>  
SA40-18SURKWA SA40-19SURKWA	SC40-18SURKWA SC40-19SURKWA	AlGaInP	630	26000	123000	
SA40-18SYKWA SA40-19SYKWA	SC40-18SYKWA SC40-19SYKWA	AlGaInP	590	44000	129000	
SA40-18CGKWA SA40-19CGKWA	SC40-18CGKWA SC40-19CGKWA	AlGaInP	570	26000	101000	


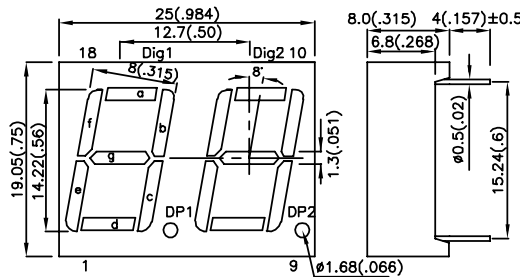
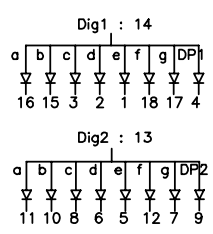
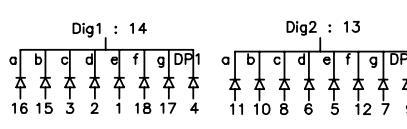
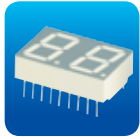
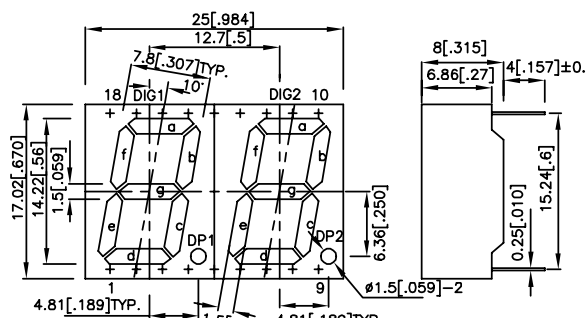
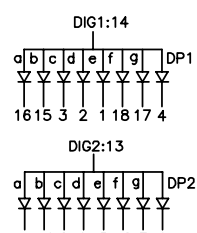
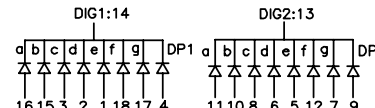
NOTES:
 1. All dimensions are in millimeters(inches).
 2. Tolerance is ±0.25mm(0.01") unless otherwise noted.

DUAL DIGIT 7-SEGMENT THROUGH-HOLE DISPLAY

PART NUMBER		MATERIAL	λ D (nm)	Iv (ucd) @10mA		DIMENSION
COMMON ANODE	COMMON CATHODE			MIN.	TYP.	
DA03-11SEKWA	DC03-11SEKWA	AlGaInP	601	44000	154400	<p>0.3 inch (7.62mm), Gray Face, White Segment</p>  <p>DA03-11</p> <p>Dig1 : 10 Dig2 : 5</p> <p>2 : NO PIN</p> <p>DA03-11 Pinout: Dig1: 10 pins (a-g, DP1, DP2) Dig2: 5 pins (a-g)</p> <p>DC03-11</p> <p>Dig1 : 10 Dig2 : 5</p> <p>2 : NO PIN</p> <p>DC03-11 Pinout: Dig1: 10 pins (a-g, DP1, DP2) Dig2: 5 pins (a-g)</p>
DA03-11SURKWA	DC03-11SURKWA	AlGaInP	630	12000	18500	
DA03-11SYKWA	DC03-11SYKWA	AlGaInP	590	44000	103500	
DA03-11CGKWA	DC03-11CGKWA	AlGaInP	570	12000	46000	
DA04-11SEKWA	DC04-11SEKWA	AlGaInP	601	44000	160700	<p>0.394 inch (10mm), Gray Face, White Segment</p>  <p>DA04-11</p> <p>Dig1:4 Dig2:5</p> <p>DA04-11 Pinout: Dig1: 4 pins (a-g) Dig2: 5 pins (a-g)</p> <p>DC04-11</p> <p>Dig1:4 Dig2:5</p> <p>DC04-11 Pinout: Dig1: 4 pins (a-g) Dig2: 5 pins (a-g)</p>
DA04-11SURKWA	DC04-11SURKWA	AlGaInP	630	12000	31600	
DA04-11SYKWA	DC04-11SYKWA	AlGaInP	590	44000	92400	
DA04-11CGKWA	DC04-11CGKWA	AlGaInP	570	8000	25000	

NOTES:
 1. All dimensions are in millimeters(inches).
 2. Tolerance is ±0.25mm(0.01") unless otherwise noted.

DUAL DIGIT 7-SEGMENT THROUGH-HOLE DISPLAY

PART NUMBER		MATERIAL	λ D (nm)	Iv (ucd) @10mA		DIMENSION
COMMON ANODE	COMMON CATHODE			MIN.	TYP.	
DA56-11SEKWA	DC56-11SEKWA	AlGaInP	● 601	18000	78700	<p>0.56 inch (14.22mm), Gray Face, White Segment</p>  <p>DX56-11</p>   
DA56-11SURKWA	DC56-11SURKWA	AlGaInP	● 630	12000	51900	
DA56-11SYKWA	DC56-11SYKWA	AlGaInP	● 590	18000	54000	
DA56-11CGKWA	DC56-11CGKWA	AlGaInP	● 570	12000	35000	
DA56-51SEKWA	DC56-51SEKWA	AlGaInP	● 601	44000	175300	<p>0.56 inch (14.22mm), Gray Face, White Segment</p>  <p>DX56-51</p>   
DA56-51SURKWA	DC56-51SURKWA	AlGaInP	● 630	18000	43900	
DA56-51SYKWA	DC56-51SYKWA	AlGaInP	● 590	18000	44000	
DA56-51CGKWA	DC56-51CGKWA	AlGaInP	● 570	12000	35000	

NOTES:
 1. All dimensions are in millimeters(inches).
 2. Tolerance is ±0.25mm(0.01") unless otherwise noted.

DUAL DIGIT 7-SEGMENT THROUGH-HOLE DISPLAY

PART NUMBER		MATERIAL	λ D (nm)	Iv (ucd) @10mA		DIMENSION
COMMON ANODE	COMMON CATHODE			MIN.	TYP.	
DA08-11SEKWA	DC08-11SEKWA	AlGaInP	● 601	44000	197500	<p>0.8 inch (20.32mm), Gray Face, White Segment</p> <p>DA08-11 Dig1 : 14 Dig2 : 13 a b c d e f g DP1 a b c d e f g DP2 16 15 3 2 1 18 17 4 11 10 8 6 5 12 7 9</p> <p>DC08-11 Dig1 : 14 Dig2 : 13 a b c d e f g DP1 a b c d e f g DP2 16 15 3 2 1 18 17 4 11 10 8 6 5 12 7 9</p>
DA08-11SURKWA	DC08-11SURKWA	AlGaInP	● 630	18000	60600	
DA08-11SYKWA	DC08-11SYKWA	AlGaInP	● 590	26000	78000	
DA08-11CGKWA	DC08-11CGKWA	AlGaInP	● 570	12000	34400	

THREE DIGIT 7-SEGMENT THROUGH-HOLE DISPLAY

PART NUMBER		MATERIAL	λ D (nm)	Iv (ucd) @10mA		DIMENSION
COMMON ANODE	COMMON CATHODE			MIN.	TYP.	
BA04-11SEKWA	BC04-11SEKWA	AlGaInP	● 601	18000	160700	<p>0.4 inch (10.2mm), Gray Face, White Segment</p> <p>BA04-11 Dig1 : 4 Dig2 : 5 Dig3 : 9 a b c d e f g a b c d e f g a b c d e f g 23 21 1 3 2 22 24 18 20 8 6 7 19 17 14 13 12 10 11 15 16</p> <p>BC04-11 Dig1 : 4 Dig2 : 5 Dig3 : 9 a b c d e f g a b c d e f g a b c d e f g 23 21 1 3 2 22 24 18 20 8 6 7 19 17 14 13 12 10 11 15 16</p>
BA04-11SURKWA	BC04-11SURKWA	AlGaInP	● 630	12000	44900	
BA04-11SYKWA	BC04-11SYKWA	AlGaInP	● 590	44000	92400	
BA04-11CGKWA	BC04-11CGKWA	AlGaInP	● 570	8000	25000	

NOTES:


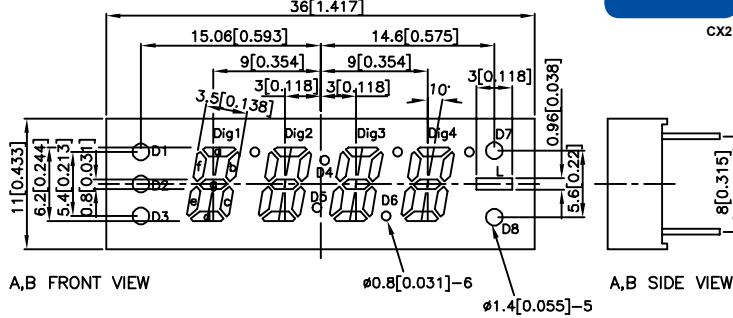
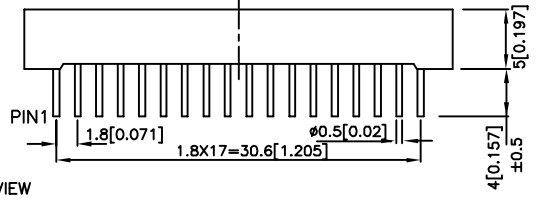
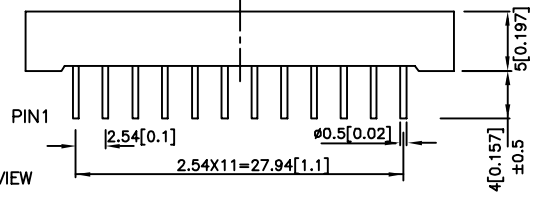
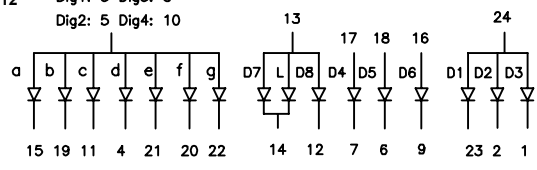
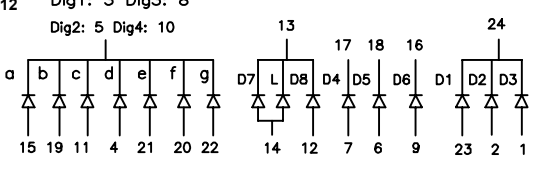
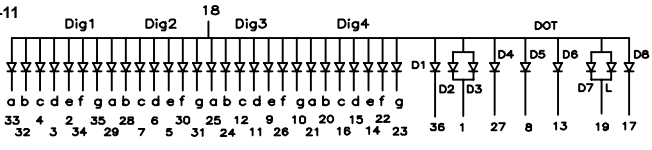
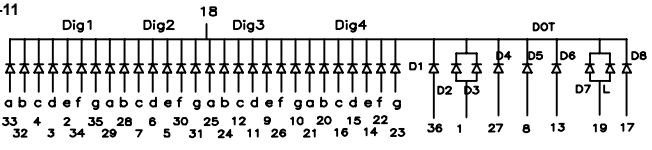
1. All dimensions are in millimeters(inches).
2. Tolerance is ±0.25mm(0.01") unless otherwise noted.

THREE DIGIT 7-SEGMENT THROUGH-HOLE DISPLAY

PART NUMBER		MATERIAL	λ D (nm)	Iv (ucd) @10mA		DIMENSION
COMMON ANODE	COMMON CATHODE			MIN.	TYP.	
BA56-11SEKWA BA56-12SEKWA BA56-13SEKWA	BC56-11SEKWA BC56-12SEKWA BC56-13SEKWA	AlGaInP	601	26000	114800	<p>0.56 inch (14.22mm), Gray Face, White Segment</p> <p>BA56/BC56-11 BA56/BC56-13</p> <p>BA56-11 Dig1 : 3,26 Dig2 : 19 Dig3 : 18</p> <p>Dig1: 25 24 4 2 1 27 28 5 Dig2: 21 20 8 7 6 23 22 9 Dig3: 16 15 13 11 10 17 12 14</p> <p>BC56-11 Dig1 : 3,26 Dig2 : 19 Dig3 : 18</p> <p>Dig1: 25 24 4 2 1 27 28 5 Dig2: 21 20 8 7 6 23 22 9 Dig3: 16 15 13 11 10 17 12 14</p>
BA56-11SURKWA BA56-12SURKWA BA56-13SURKWA	BC56-11SURKWA BC56-12SURKWA BC56-13SURKWA	AlGaInP	630	12000	49000	<p>BA56-13 Dig1 : 26 Dig2 : 8,21 Dig3 : 15</p> <p>Dig1: 27 24 3 2 1 28 25 4 Dig2: 22 19 7 6 5 23 20 9 Dig3: 16 14 12 11 10 17 18 13</p> <p>BC56-13 Dig1 : 26 Dig2 : 8,21 Dig3 : 15</p> <p>Dig1: 27 24 3 2 1 28 25 4 Dig2: 22 19 7 6 5 23 20 9 Dig3: 16 14 12 11 10 17 18 13</p>
BA56-11SYKWA BA56-12SYKWA BA56-13SYKWA	BC56-11SYKWA BC56-12SYKWA BC56-13SYKWA	AlGaInP	590	18000	54000	<p>BA56/BC56-12</p> <p>BA56-12 Dig1 : 12 Dig2 : 9 Dig3 : 8</p> <p>Dig1: 11 7 4 2 1 10 5 3</p> <p>BC56-12 Dig1 : 12 Dig2 : 9 Dig3 : 8</p> <p>Dig1: 11 7 4 2 1 10 5 3</p>
BA56-11CGKWA BA56-12CGKWA BA56-13CGKWA	BC56-11CGKWA BC56-12CGKWA BC56-13CGKWA	AlGaInP	570	12000	35000	<p>BA56-12 Dig1 : 12 Dig2 : 9 Dig3 : 8</p> <p>Dig1: 11 7 4 2 1 10 5 3</p> <p>BC56-12 Dig1 : 12 Dig2 : 9 Dig3 : 8</p> <p>Dig1: 11 7 4 2 1 10 5 3</p>

NOTES:
 1. All dimensions are in millimeters(inches).
 2. Tolerance is ±0.25mm(0.01") unless otherwise noted.

FOUR DIGIT 7-SEGMENT THROUGH-HOLE DISPLAY

PART NUMBER		MATERIAL	λ D (nm)	Iv (ucd) @10mA		DIMENSION
COMMON ANODE	COMMON CATHODE			MIN.	TYP.	
CA25-11SEKWA CA25-12SEKWA	CC25-11SEKWA CC25-12SEKWA	AlGaInP	601	44000	159400	<p>0.244 inch (6.2mm), Gray Face, White Segment</p> <p>A: CA/CC25-11 B: CA/CC25-12</p>   <p>A,B FRONT VIEW</p> <p>A,B SIDE VIEW</p>
CA25-11SURKWA CA25-12SURKWA	CC25-11SURKWA CC25-12SURKWA	AlGaInP	630	12000	32000	 <p>A END VIEW</p>  <p>B END VIEW</p>
CA25-11SYKWA CA25-12SYKWA	CC25-11SYKWA CC25-12SYKWA	AlGaInP	590	44000	111500	<p>CA25-12 Dig1: 3 Dig3: 8 Dig2: 5 Dig4: 10</p>  <p>CA25-12</p> <p>CC25-12 Dig1: 3 Dig3: 8 Dig2: 5 Dig4: 10</p>  <p>CC25-12</p>
CA25-11CGKWA CA25-12CGKWA	CC25-11CGKWA CC25-12CGKWA	AlGaInP	570	12000	34000	<p>CA25-11 Dig1: 3 Dig2: 18 Dig3: 8 Dig4: 10 DOT</p>  <p>CA25-11</p> <p>CC25-11 Dig1: 3 Dig2: 18 Dig3: 8 Dig4: 10 DOT</p>  <p>CC25-11</p>

NOTES:
 1. All dimensions are in millimeters(inches).
 2. Tolerance is ±0.25mm(0.01") unless otherwise noted.

FOUR DIGIT 7-SEGMENT THROUGH-HOLE DISPLAY

PART NUMBER		MATERIAL	λ D (nm)	Iv (ucd) @10mA		DIMENSION
COMMON ANODE	COMMON CATHODE			MIN.	TYP.	
CA04-41SEKWA	CC04-41SEKWA	AlGaInP	● 601	44000	135000	<p>0.4 inch (10.16mm), Gray Face, White Segment</p> <p style="text-align: right;">CX04</p>
CA04-41SURKWA	CC04-41SURKWA	AlGaInP	● 630	26000	87000	
CA04-41SYKWA	CC04-41SYKWA	AlGaInP	● 590	44000	110000	<p>CA04-41</p> <p>Dig1: 20 Dig2: 5</p> <p>a b c d e f g DP1 a b c d e f g DP2</p> <p>17 16 4 1 3 18 19 2 17 16 4 1 3 18 19 2</p> <p>Dig3: 15 Dig4: 10</p> <p>a b c d e f g DP3 a b c d e f g DP4</p> <p>12 11 9 6 8 13 14 7 12 11 9 6 8 13 14 7</p>
CA04-41CGKWA	CC04-41CGKWA	AlGaInP	● 570	8000	33000	<p>CC04-41</p> <p>Dig1: 20 Dig2: 5</p> <p>a b c d e f g DP1 a b c d e f g DP2</p> <p>17 16 4 1 3 18 19 2 17 16 4 1 3 18 19 2</p> <p>Dig3: 15 Dig4: 10</p> <p>a b c d e f g DP3 a b c d e f g DP4</p> <p>12 11 9 6 8 13 14 7 12 11 9 6 8 13 14 7</p>

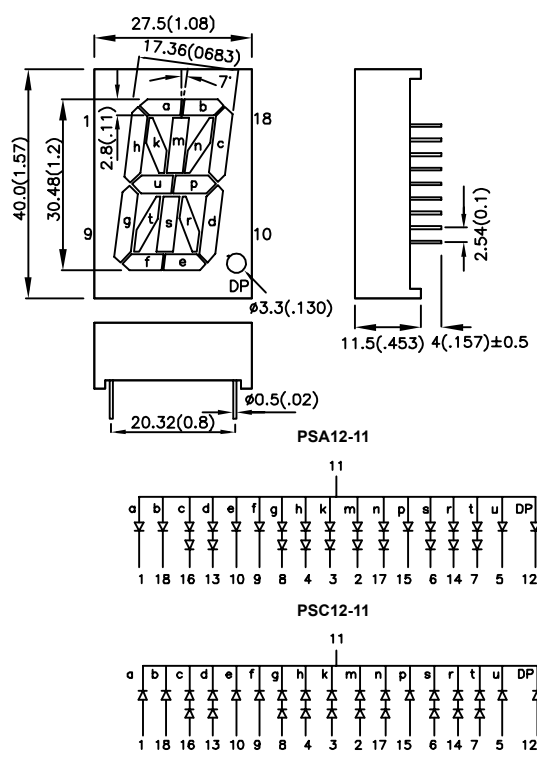
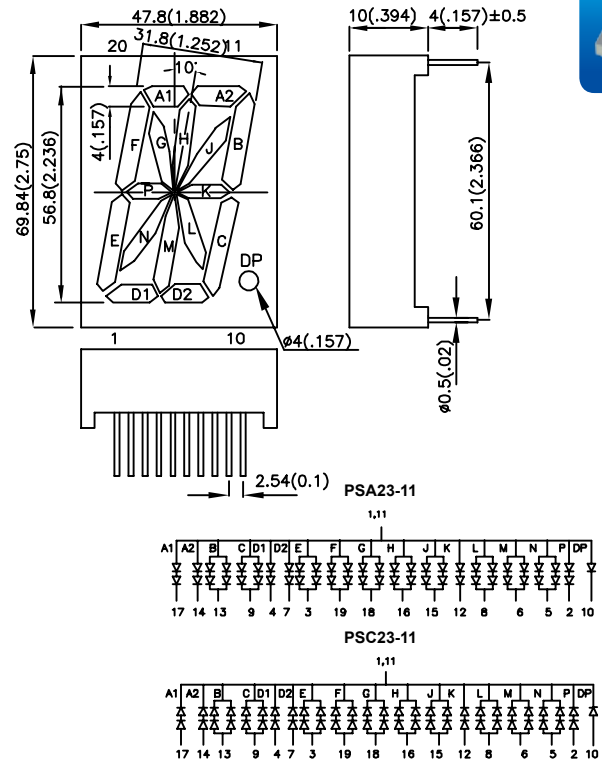
NOTES:
 1. All dimensions are in millimeters(inches).
 2. Tolerance is ±0.25mm(0.01") unless otherwise noted.

FOUR DIGIT 7-SEGMENT THROUGH-HOLE DISPLAY

PART NUMBER		MATERIAL	λ D (nm)	Iv (ucd) @10mA		DIMENSION
COMMON ANODE	COMMON CATHODE			MIN.	TYP.	
CA56-11SEKWA CA56-12SEKWA CA56-21SEKWA	CC56-11SEKWA CC56-12SEKWA CC56-21SEKWA	AlGaInP	601	26000	114800	<p>0.56 inch (14.22mm), Gray Face, White Segment</p> <p>A:CA/CC56-11 B:CA/CC56-12 C:CA/CC56-21</p> <p>A,B,C FRONT VIEW</p> <p>A, B, C SIDE VIEW</p> <p>CA56-11</p> <p>CC56-11</p> <p>Dig1: 32 Dig2: 31 Dig1: 32 Dig2: 31</p> <p>a b c d e f g DP1 a b c d e f g DP2 a b c d e f g DP1 a b c d e f g DP2</p> <p>34 33 3 2 1 36 35 4 29 28 8 6 5 30 7 9 34 33 3 2 1 36 35 4 29 28 8 6 5 30 7 9</p> <p>Dig3: 23 Dig4: 22 Dig3: 23 Dig4: 22</p> <p>a b c d e f g DP3 a b c d e f g DP4 a b c d e f g DP3 a b c d e f g DP4</p> <p>25 24 12 11 10 27 26 13 20 19 17 15 14 21 16 18 25 24 12 11 10 27 26 13 20 19 17 15 14 21 16 18</p> <p>CA56-12</p> <p>CC56-12</p> <p>Dig1: 12 Dig2: 9 Dig1: 12 Dig2: 9</p> <p>a b c d e f g DP1 a b c d e f g DP2 a b c d e f g DP1 a b c d e f g DP2</p> <p>11 7 4 2 1 10 5 3 11 7 4 2 1 10 5 3 11 7 4 2 1 10 5 3 11 7 4 2 1 10 5 3</p> <p>Dig3: 8 Dig4: 6 Dig3: 8 Dig4: 6</p> <p>a b c d e f g DP3 a b c d e f g DP4 a b c d e f g DP3 a b c d e f g DP4</p> <p>11 7 4 2 1 10 5 3 11 7 4 2 1 10 5 3 11 7 4 2 1 10 5 3 11 7 4 2 1 10 5 3</p> <p>CA56-21</p> <p>CC56-21</p> <p>Dig1: 12 Dig2: 9 Dig1: 12 Dig2: 9</p> <p>a b c d e f g DP5 a b c d e f g DP6 a b c d e f g DP5 a b c d e f g DP6</p> <p>11 7 4 2 1 10 5 3 11 7 4 2 1 10 5 3 11 7 4 2 1 10 5 3 11 7 4 2 1 10 5 3</p> <p>Dig3: 8 Dig4: 6 Dig3: 8 Dig4: 6</p> <p>a b c d e f g DP5 a b c d e f g DP6 a b c d e f g DP5 a b c d e f g DP6</p> <p>11 7 4 2 1 10 5 3 11 7 4 2 1 10 5 3 11 7 4 2 1 10 5 3 11 7 4 2 1 10 5 3</p>
CA56-11SURKWA CA56-12SURKWA CA56-21SURKWA	CC56-11SURKWA CC56-12SURKWA CC56-21SURKWA	AlGaInP	630	12000	58500	<p>A, B, C FRONT VIEW</p> <p>A, B, C SIDE VIEW</p> <p>CA56-11</p> <p>CC56-11</p>
CA56-11SYKWA CA56-12SYKWA CA56-21SYKWA	CC56-11SYKWA CC56-12SYKWA CC56-21SYKWA	AlGaInP	590	12000	59000	<p>Dig1: 32 Dig2: 31 Dig1: 32 Dig2: 31</p> <p>a b c d e f g DP1 a b c d e f g DP2 a b c d e f g DP1 a b c d e f g DP2</p> <p>34 33 3 2 1 36 35 4 29 28 8 6 5 30 7 9 34 33 3 2 1 36 35 4 29 28 8 6 5 30 7 9</p> <p>Dig3: 23 Dig4: 22 Dig3: 23 Dig4: 22</p> <p>a b c d e f g DP3 a b c d e f g DP4 a b c d e f g DP3 a b c d e f g DP4</p> <p>25 24 12 11 10 27 26 13 20 19 17 15 14 21 16 18 25 24 12 11 10 27 26 13 20 19 17 15 14 21 16 18</p> <p>CA56-12</p> <p>CC56-12</p> <p>Dig1: 12 Dig2: 9 Dig1: 12 Dig2: 9</p> <p>a b c d e f g DP1 a b c d e f g DP2 a b c d e f g DP1 a b c d e f g DP2</p> <p>11 7 4 2 1 10 5 3 11 7 4 2 1 10 5 3 11 7 4 2 1 10 5 3 11 7 4 2 1 10 5 3</p> <p>Dig3: 8 Dig4: 6 Dig3: 8 Dig4: 6</p> <p>a b c d e f g DP3 a b c d e f g DP4 a b c d e f g DP3 a b c d e f g DP4</p> <p>11 7 4 2 1 10 5 3 11 7 4 2 1 10 5 3 11 7 4 2 1 10 5 3 11 7 4 2 1 10 5 3</p> <p>CA56-21</p> <p>CC56-21</p> <p>Dig1: 12 Dig2: 9 Dig1: 12 Dig2: 9</p> <p>a b c d e f g DP5 a b c d e f g DP6 a b c d e f g DP5 a b c d e f g DP6</p> <p>11 7 4 2 1 10 5 3 11 7 4 2 1 10 5 3 11 7 4 2 1 10 5 3 11 7 4 2 1 10 5 3</p> <p>Dig3: 8 Dig4: 6 Dig3: 8 Dig4: 6</p> <p>a b c d e f g DP5 a b c d e f g DP6 a b c d e f g DP5 a b c d e f g DP6</p> <p>11 7 4 2 1 10 5 3 11 7 4 2 1 10 5 3 11 7 4 2 1 10 5 3 11 7 4 2 1 10 5 3</p>
CA56-11CGKWA CA56-12CGKWA CA56-21CGKWA	CC56-11CGKWA CC56-12CGKWA CC56-21CGKWA	AlGaInP	570	8000	35000	<p>Dig1: 12 Dig2: 9 Dig1: 12 Dig2: 9</p> <p>a b c d e f g DP5 a b c d e f g DP6 a b c d e f g DP5 a b c d e f g DP6</p> <p>11 7 4 2 1 10 5 3 11 7 4 2 1 10 5 3 11 7 4 2 1 10 5 3 11 7 4 2 1 10 5 3</p> <p>Dig3: 8 Dig4: 6 Dig3: 8 Dig4: 6</p> <p>a b c d e f g DP5 a b c d e f g DP6 a b c d e f g DP5 a b c d e f g DP6</p> <p>11 7 4 2 1 10 5 3 11 7 4 2 1 10 5 3 11 7 4 2 1 10 5 3 11 7 4 2 1 10 5 3</p> <p>CA56-21</p> <p>CC56-21</p>


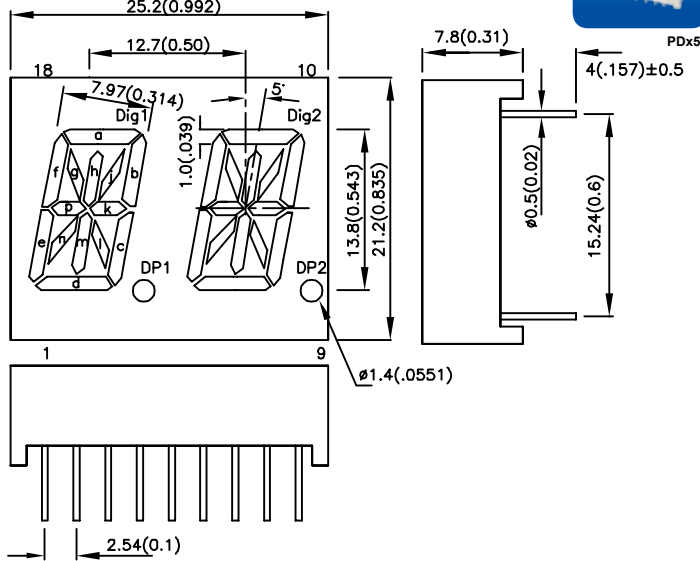
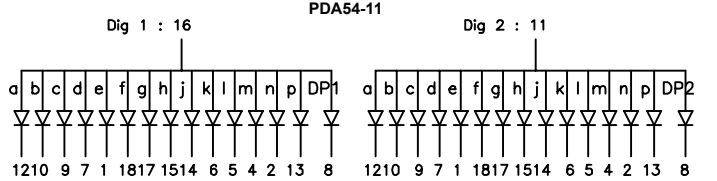
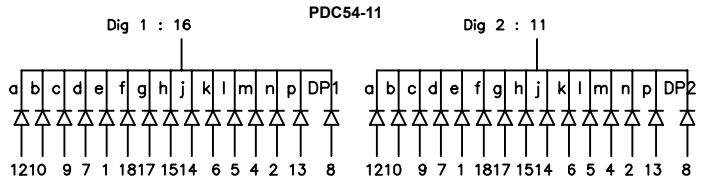
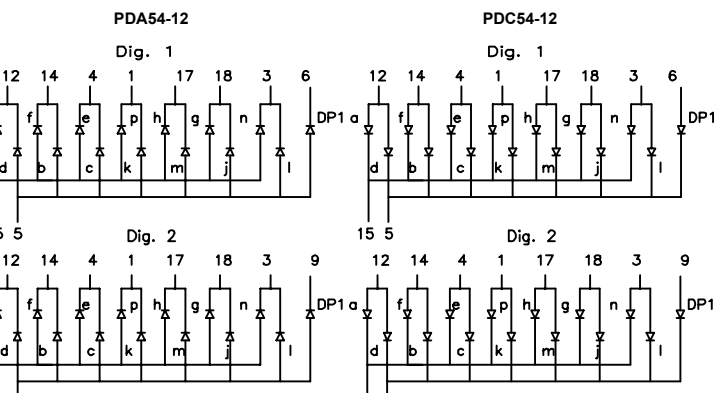
NOTES:
1. All dimensions are in millimeters(inches).
2. Tolerance is ±0.25mm(0.01") unless otherwise noted.

ALPHANUMERIC THROUGH-HOLE DISPLAY

PART NUMBER		MATERIAL	λ D (nm)	Iv (ucd) @10mA		DIMENSION
COMMON ANODE	COMMON CATHODE			MIN.	TYP.	
PSA12-11SEKWA	PSC12-11SEKWA	AlGaInP	601	26000	107000	<p>1.2 inch (30.48mm), Gray Face, White Segment</p>  <p>PSA12-11</p> <p>PSC12-11</p>
PSA12-11SURKWA	PSC12-11SURKWA	AlGaInP	630	18000	63200	
PSA12-11SYKWA	PSC12-11SYKWA	AlGaInP	590	26000	101000	
PSA12-11CGKWA	PSC12-11CGKWA	AlGaInP	570	12000	37200	
PSA23-11SEKWA	PSC23-11SEKWA	AlGaInP	601	44000	163000	<p>2.24 inch (56.8mm), Gray Face, White Segment</p>  <p>PSA23-11</p> <p>PSC23-11</p>
PSA23-11SURKWA	PSC23-11SURKWA	AlGaInP	630	18000	73000	
PSA23-11SYKWA	PSC23-11SYKWA	AlGaInP	590	44000	173300	
PSA23-11CGKWA	PSC23-11CGKWA	AlGaInP	570	8000	17000	


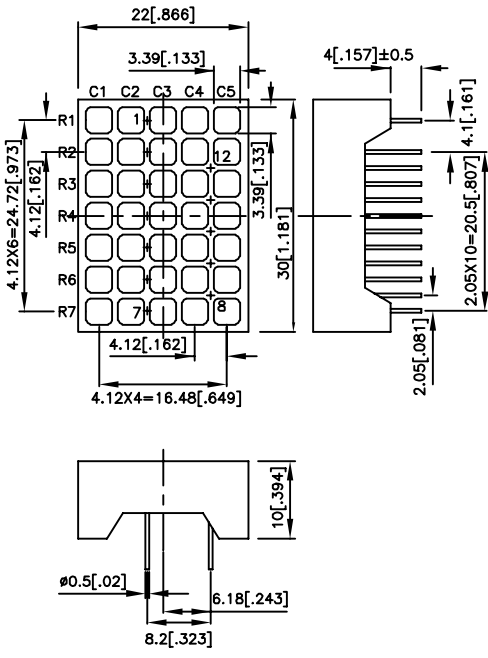
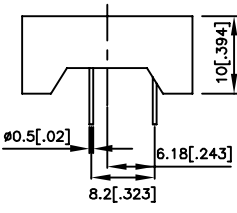
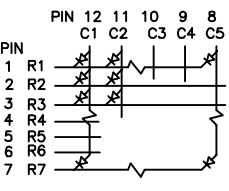
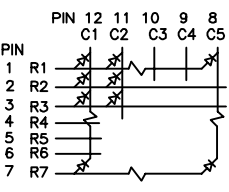

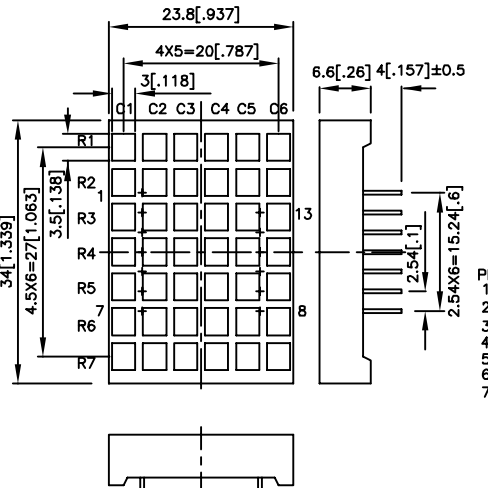
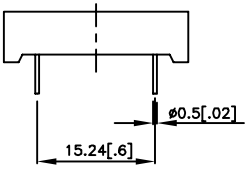
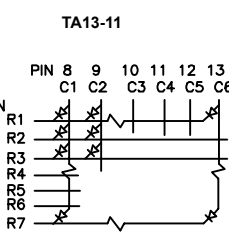
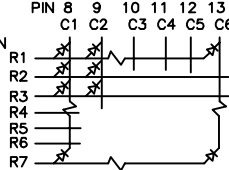
NOTES:
 1. All dimensions are in millimeters(inches).
 2. Tolerance is ±0.25mm(0.01") unless otherwise noted.

ALPHANUMERIC THROUGH-HOLE DISPLAY

PART NUMBER		MATERIAL	λ D (nm)	Iv (ucd) @10mA		DIMENSION
COMMON ANODE	COMMON CATHODE			MIN.	TYP.	
PDA54-11SEKWA PDA54-12SEKWA	PDC54-11SEKWA PDC54-12SEKWA	AlGaInP	● 601	18000	77800	<p>0.543inch (13.8mm), Gray Face, White Segment</p>      <p>PIN 2,7,11,13,16 NO CONNECTION</p>
PDA54-11SURKWA PDA54-12SURKWA	PDC54-11SURKWA PDC54-12SURKWA	AlGaInP	● 630	12000	46000	
PDA54-11SYKWA PDA54-12SYKWA	PDC54-11SYKWA PDC54-12SYKWA	AlGaInP	● 590	12000	45600	
PDA54-11CGKWA PDA54-12CGKWA	PDC54-11CGKWA PDC54-12CGKWA	AlGaInP	● 570	8000	27800	

NOTES:
 1. All dimensions are in millimeters(inches).
 2. Tolerance is ±0.25mm(0.01") unless otherwise noted.


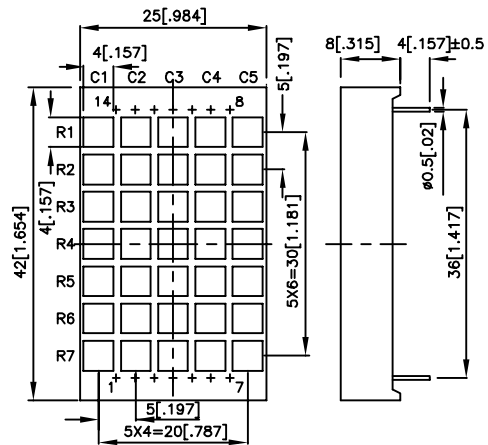
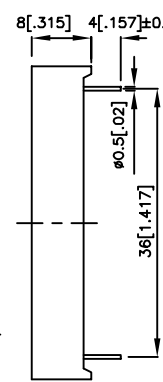
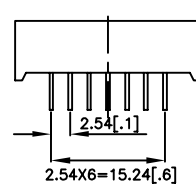
DOT MATRIX

PART NUMBER		MATERIAL	λ D (nm)	Iv (ucd) @10mA		DIMENSION
COLUMN ANODE	COLUMN CATHODE			MIN.	TYP.	
TA12-41SEKWB	TC12-41SEKWB	AlGaInP	● 601	75000	238900	<p>1.107 inch (28.11mm), 5x7, Black Face, White Dot</p>  <p style="text-align: right;">TX12-41</p>   <p style="text-align: center;">TA12-41</p>  <p style="text-align: center;">TC12-41</p> 
TA12-41SURKWB	TC12-41SURKWB	AlGaInP	● 630	44000	139300	
TA12-41SYKWB	TC12-41SYKWB	AlGaInP	● 590	75000	235600	
TA12-41CGKWB	TC12-41CGKWB	AlGaInP	● 570	26000	65300	
TA13-11SEKWB	TC13-11SEKWB	AlGaInP	● 601	75000	159800	<p>1.2 inch (30.5mm), 6x7, Black Face, White Dot</p>  <p style="text-align: right;">TX13</p>   <p style="text-align: center;">TA13-11</p>  <p style="text-align: center;">TC13-11</p> 
TA13-11SURKWB	TC13-11SURKWB	AlGaInP	● 630	44000	108700	
TA13-11SYKWB	TC13-11SYKWB	AlGaInP	● 590	44000	156300	
TA13-11CGKWB	TC13-11CGKWB	AlGaInP	● 570	18000	46300	

NOTES:

1. All dimensions are in millimeters(inches).
2. Tolerance is ±0.25mm(0.01") unless otherwise noted.

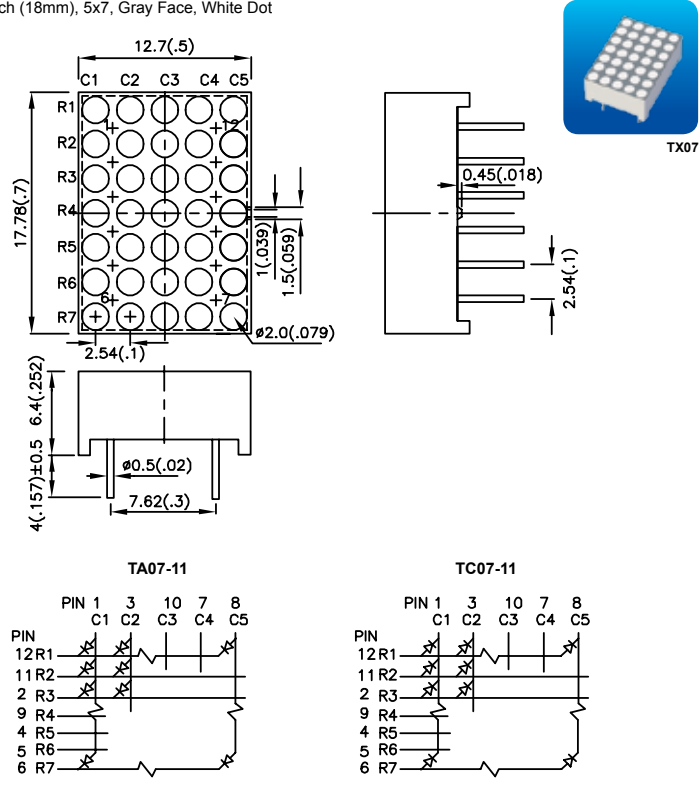
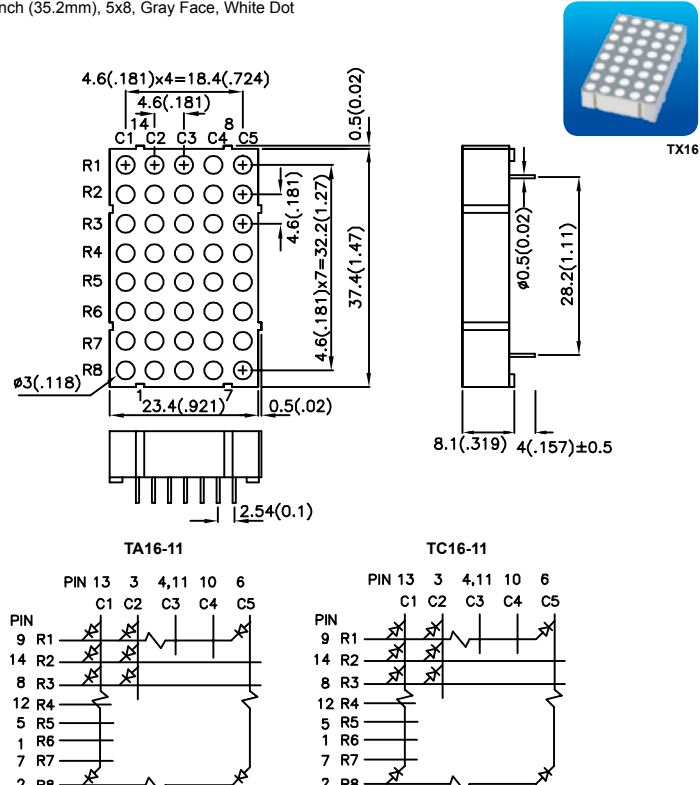
DOT MATRIX

PART NUMBER		MATERIAL	λ D (nm)	Iv (ucd) @10mA		DIMENSION
COLUMN ANODE	COLUMN CATHODE			MIN.	TYP.	
TA16-31SEKWB	TC16-31SEKWB	AlGaInP	● 601	75000	169700	<p>1.338 inch (34mm), 5x7, Black Face, White Dot</p>  <p>TX16-31</p>    <p>TA16-31</p> <p>PIN 13 3 4,11 10 6 C1 C2 C3 C4 C5</p> <p>PIN 9 R1 14 R2 8 R3 12,5 R4 1 R5 7 R6 2 R7</p> <p>TC16-31</p> <p>PIN 13 3 4,11 10 6 C1 C2 C3 C4 C5</p> <p>PIN 9 R1 14 R2 8 R3 12,5 R4 1 R5 7 R6 2 R7</p>
TA16-31SURKWB	TC16-31SURKWB	AlGaInP	● 630	44000	100000	
TA16-31SYKWB	TC16-31SYKWB	AlGaInP	● 590	44000	168000	
TA16-31CGKWB	TC16-31CGKWB	AlGaInP	● 570	18000	42300	

NOTES:

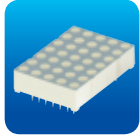
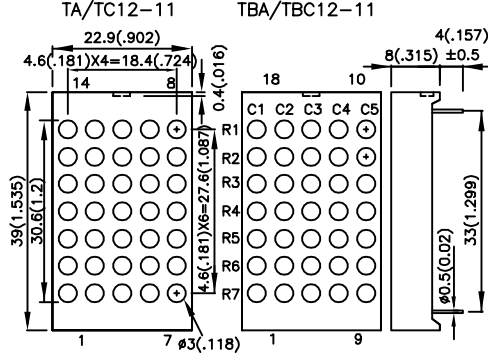
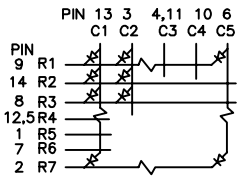
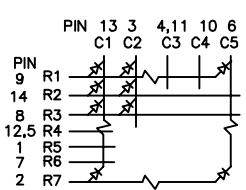
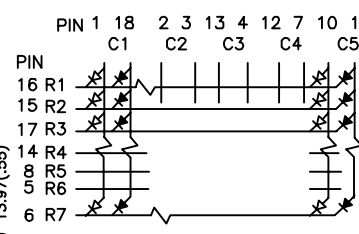
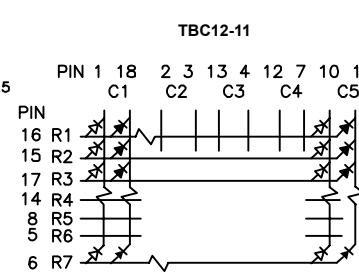
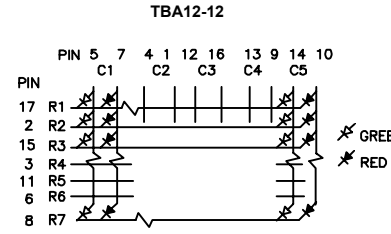
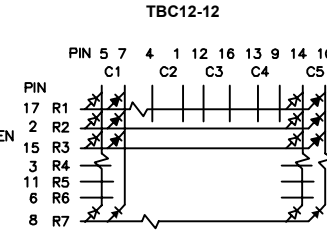
1. All dimensions are in millimeters(inches).
2. Tolerance is ±0.25mm(0.01") unless otherwise noted.

DOT MATRIX

PART NUMBER		MATERIAL	λ D (nm)	Iv (ucd) @10mA		DIMENSION
COLUMN ANODE	COLUMN CATHODE			MIN.	TYP.	
TA07-11SEKWA	TC07-11SEKWA	AlGaInP	601	26000	116400	<p>0.7 inch (18mm), 5x7, Gray Face, White Dot</p>  <p>TA07-11</p> <p>TC07-11</p>
TA07-11SURKWA	TC07-11SURKWA	AlGaInP	630	18000	40600	
TA07-11SYKWA	TC07-11SYKWA	AlGaInP	590	18000	45100	
TA07-11CGKWA	TC07-11CGKWA	AlGaInP	570	12000	38100	
TA16-11SEKWA	TC16-11SEKWA	AlGaInP	601	26000	128500	<p>1.38 inch (35.2mm), 5x8, Gray Face, White Dot</p>  <p>TA16-11</p> <p>TC16-11</p>
TA16-11SURKWA	TC16-11SURKWA	AlGaInP	630	12000	58600	
TA16-11SYKWA	TC16-11SYKWA	AlGaInP	590	18000	115000	
TA16-11CGKWA	TC16-11CGKWA	AlGaInP	570	12000	54000	

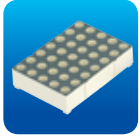
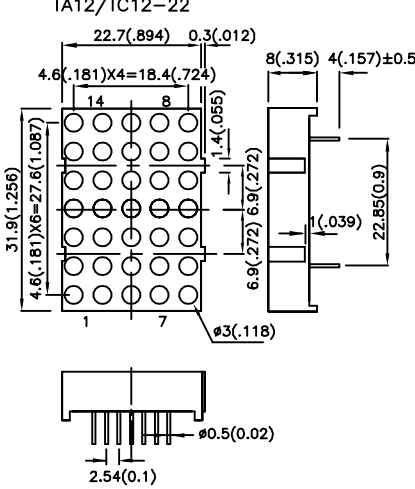
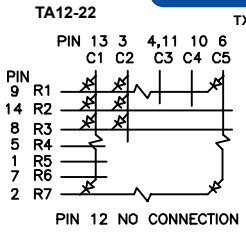
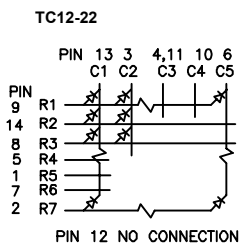
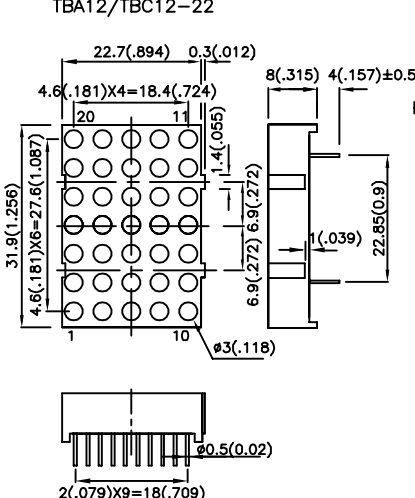
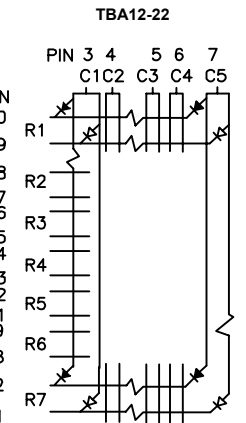
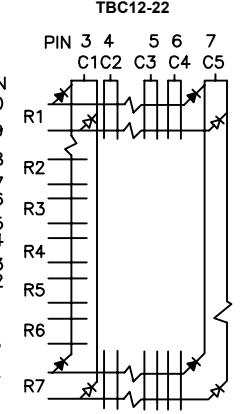
NOTES:
 1. All dimensions are in millimeters(inches).
 2. Tolerance is ±0.25mm(0.01") unless otherwise noted.

DOT MATRIX

PART NUMBER		MATERIAL	λ D (nm)	Iv (ucd) @10mA		DIMENSION
COLUMN ANODE	COLUMN CATHODE			MIN.	TYP.	
TA12-11SEKWA	TC12-11SEKWA	AlGaInP	601	26000	127000	<p>1.2 inch (30mm), 5x7, Gray Face, White Dot</p>  <p>TA/TC12-11 TBA/TBC12-11</p>  <p>TA12-11</p>  <p>TC12-11</p>  <p>TBA12-11</p>  <p>TBC12-11</p>  <p>GREEN RED</p> <p>TBA12-12</p>  <p>TBC12-12</p>  <p>GREEN RED</p>
TA12-11SURKWA	TC12-11SURKWA	AlGaInP	630	18000	66800	
TA12-11SYKWA	TC12-11SYKWA	AlGaInP	590	18000	86500	
TA12-11CGKWA	TC12-11CGKWA	AlGaInP	570	18000	50200	
TBA12-11 SURKCGKWA	TBC12-11 SURKCGKWA	AlGaInP	630	18000	66800	
		AlGaInP	570	18000	50200	
TBA12-12 SURKCGKWA	TBC12-12 SURKCGKWA	AlGaInP	630	18000	66800	
		AlGaInP	570	18000	50200	

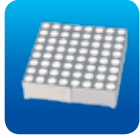
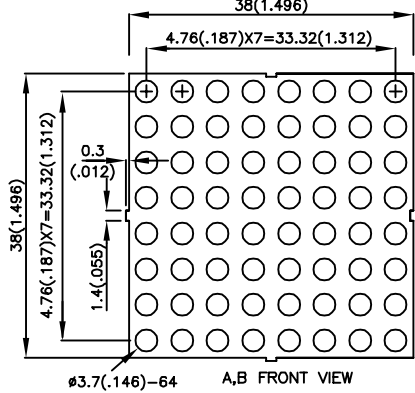
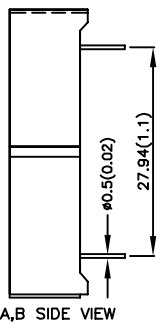
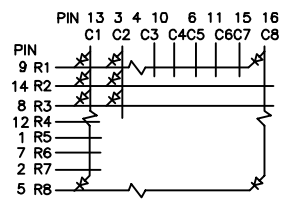
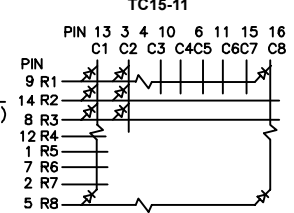
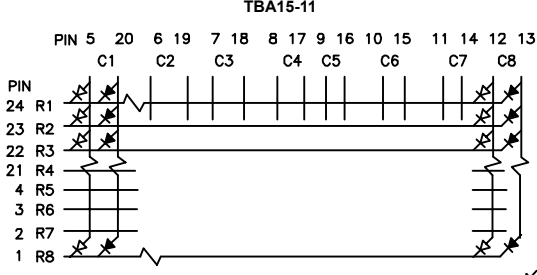
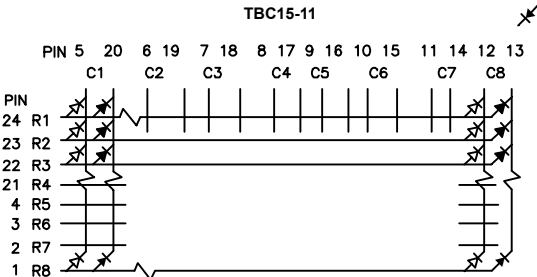
NOTES:
 1. All dimensions are in millimeters(inches).
 2. Tolerance is ±0.25mm(0.01") unless otherwise noted.

DOT MATRIX

PART NUMBER		MATERIAL	λ D (nm)	Iv (ucd) @10mA		DIMENSION
COLUMN ANODE	COLUMN CATHODE			MIN.	TYP.	
TA12-22SEKWA	TC12-22SEKWA	AlGaInP	● 601	26000	127000	<p>1.2 inch (30mm), 5x7, Gray Face, White Dot</p>  <p style="text-align: right;">TX12-22</p> <p>TA12/TC12-22</p>  <p>TA12-22</p>  <p>TC12-22</p> 
TA12-22SURKWA	TC12-22SURKWA	AlGaInP	● 630	18000	66800	
TA12-22SYKWA	TC12-22SYKWA	AlGaInP	● 590	18000	86500	
TA12-22CGKWA	TC12-22CGKWA	AlGaInP	● 570	18000	50200	<p>TBA12/TBC12-22</p>  <p>TBA12-22</p>  <p>TBC12-22</p>  <p style="text-align: center;"> ✕ GREEN ✕ RED 10 : N.C. </p>
TBA12-22 SURKCGKWA	TBC12-22 SURKCGKWA	AlGaInP	● 630	18000	66800	
TBA12-22 SURKCGKWA	TBC12-22 SURKCGKWA	AlGaInP	● 570	18000	50200	

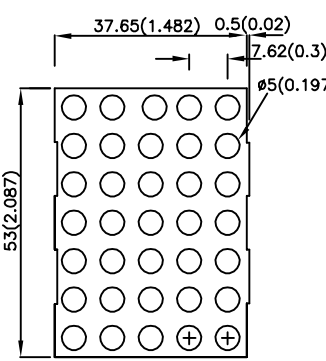
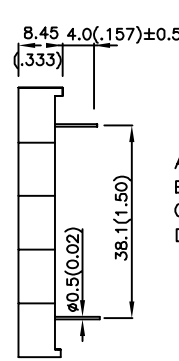

NOTES:
 1. All dimensions are in millimeters(inches).
 2. Tolerance is ±0.25mm(0.01") unless otherwise noted.

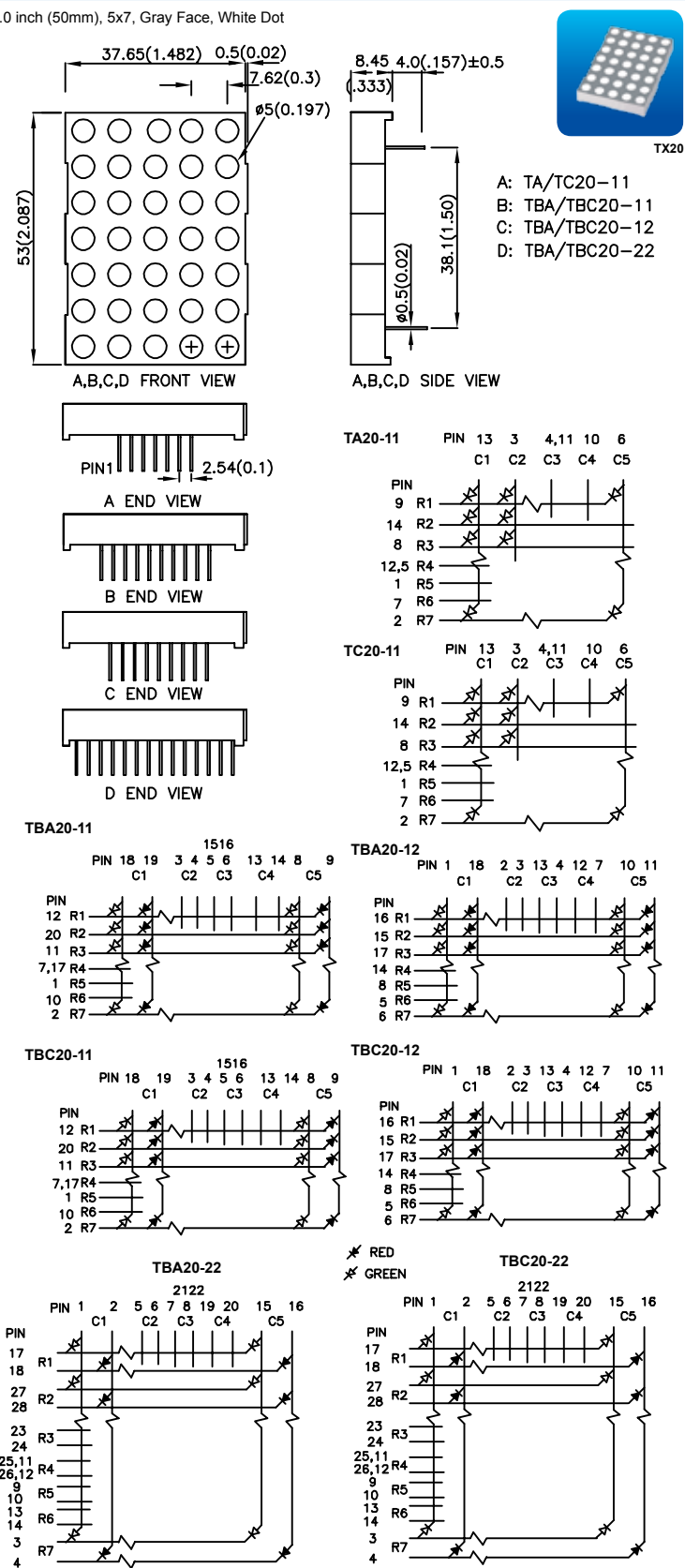
DOT MATRIX

PART NUMBER		MATERIAL	λ D (nm)	Iv (ucd) @10mA		DIMENSION
COLUMN ANODE	COLUMN CATHODE			MIN.	TYP.	
TA15-11SEKWA	TC15-11SEKWA	AlGaInP	601	26000	137000	<p>1.5 inch (38mm), 8x8, Gray Face, White Dot</p> <p>A : TA/TC15-11 B : TBA/TBC15-11</p>  <p>TX15</p>  <p>38(1.496) 4.76(.187)X7=33.32(1.312) 38(1.496) 4.76(.187)X7=33.32(1.312) 0.3(.012) 1.4(.055) ø3.7(.146)-64 A,B FRONT VIEW</p>  <p>27.94(1.1) ø0.5(0.02) A,B SIDE VIEW</p> <p>TA15-11</p>  <p>PIN 13 3 4 10 6 11 15 16 C1 C2 C3 C4C5 C6C7 C8 PIN 9 R1 14 R2 8 R3 12 R4 1 R5 7 R6 2 R7 5 R8</p> <p>TC15-11</p>  <p>PIN 13 3 4 10 6 11 15 16 C1 C2 C3 C4C5 C6C7 C8 PIN 9 R1 14 R2 8 R3 12 R4 1 R5 7 R6 2 R7 5 R8</p> <p>TBA15-11</p>  <p>PIN 5 20 6 19 7 18 8 17 9 16 10 15 11 14 12 13 C1 C2 C3 C4 C5 C6 C7 C8 PIN 24 R1 23 R2 22 R3 21 R4 4 R5 3 R6 2 R7 1 R8</p> <p>TBC15-11</p>  <p>PIN 5 20 6 19 7 18 8 17 9 16 10 15 11 14 12 13 C1 C2 C3 C4 C5 C6 C7 C8 PIN 24 R1 23 R2 22 R3 21 R4 4 R5 3 R6 2 R7 1 R8</p> <p>GREEN RED</p>
TA15-11SURKWA	TC15-11SURKWA	AlGaInP	630	18000	68800	
TA15-11SYKWA	TC15-11SYKWA	AlGaInP	590	44000	162000	
TA15-11CGKWA	TC15-11CGKWA	AlGaInP	570	18000	54200	
TBA15-11 SURKCGKWA	TBC15-11 SURKCGKWA	AlGaInP	630	18000	68800	
TBA15-11 SURKCGKWA	TBC15-11 SURKCGKWA	AlGaInP	570	18000	54200	

NOTES:
1. All dimensions are in millimeters(inches).
2. Tolerance is ±0.25mm(0.01") unless otherwise noted.

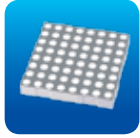
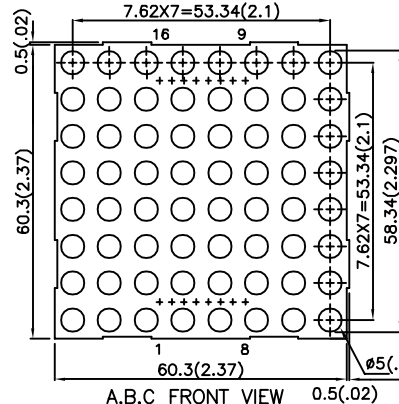
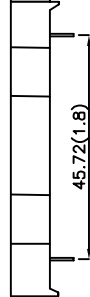
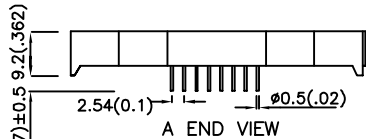
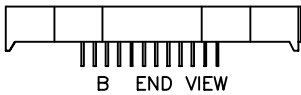
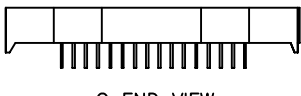
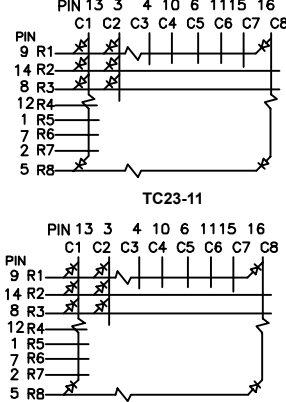
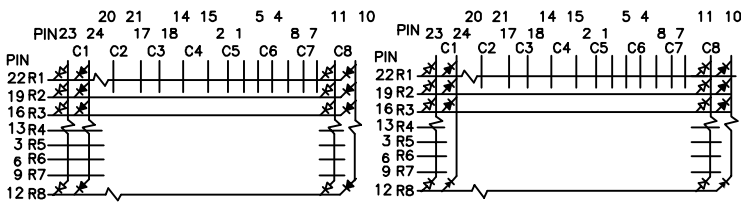
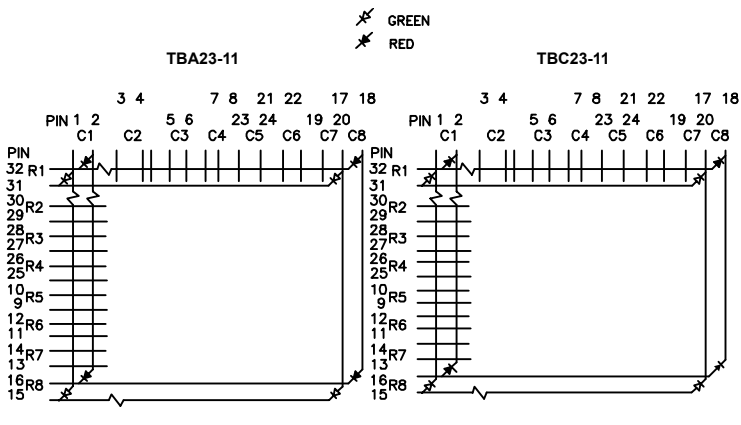
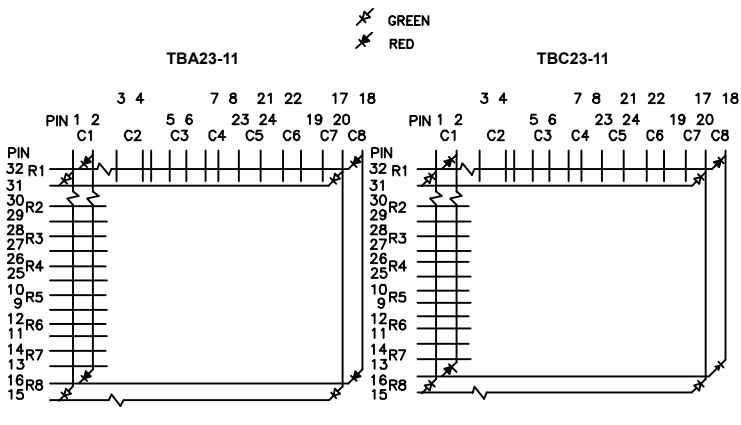
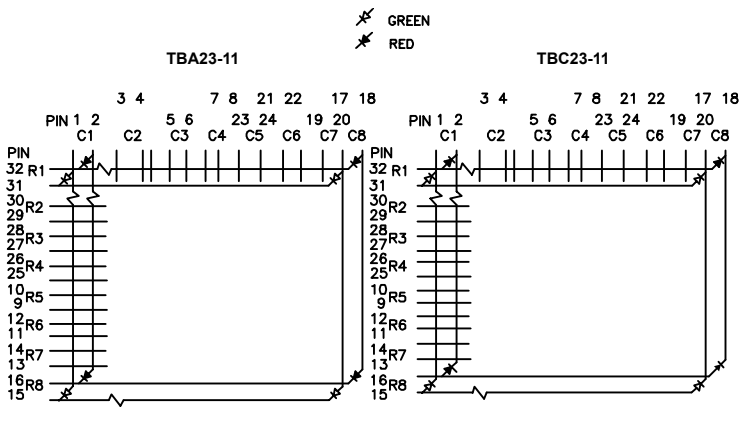
DOT MATRIX

PART NUMBER		MATERIAL	λ D (nm)	Iv (ucd) @10mA		DIMENSION
COLUMN ANODE	COLUMN CATHODE			MIN.	TYP.	
TA20-11SEKWA	TC20-11SEKWA	AlGaInP	● 601	26000	115000	<p>2.0 inch (50mm), 5x7, Gray Face, White Dot</p>  <p>A,B,C,D FRONT VIEW</p>  <p>A,B,C,D SIDE VIEW</p> <p> A: TA/TC20-11 B: TBA/TBC20-11 C: TBA/TBC20-12 D: TBA/TBC20-22 </p>  <p style="text-align: right;">TX20</p>
TA20-11SURKWA	TC20-11SURKWA	AlGaInP	● 630	18000	60000	
TA20-11SYKWA	TC20-11SYKWA	AlGaInP	● 590	18000	120000	
TA20-11CGKWA	TC20-11CGKWA	AlGaInP	● 570	18000	66200	
TBA20-11 SURKCGKWA	TBC20-11 SURKCGKWA	AlGaInP	● 630	18000	60000	
		AlGaInP	● 570	18000	66200	
TBA20-12 SURKCGKWA	TBC20-12 SURKCGKWA	AlGaInP	● 630	18000	60000	
		AlGaInP	● 570	18000	66200	
TBA20-22 SURKCGKWA	TBC20-22 SURKCGKWA	AlGaInP	● 630	18000	60000	
		AlGaInP	● 570	18000	66200	




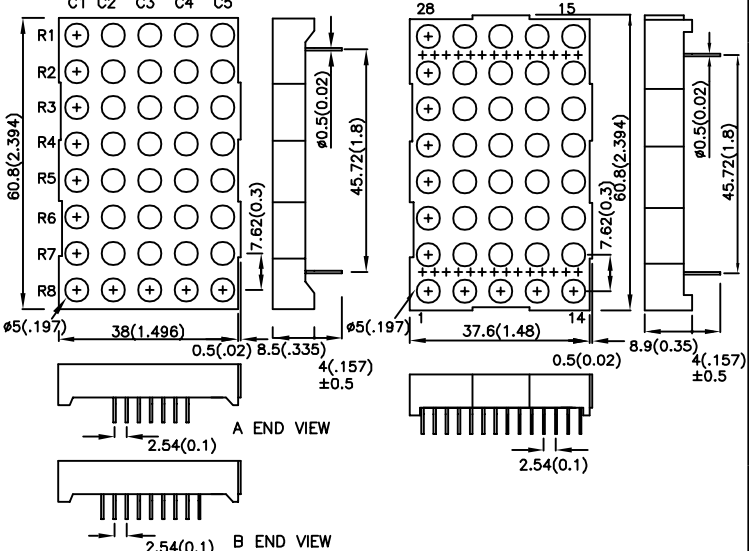
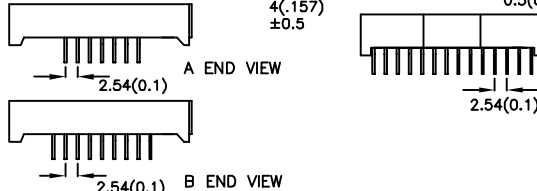
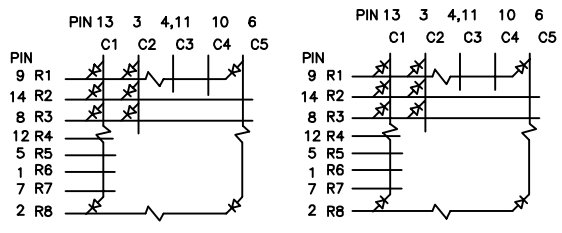
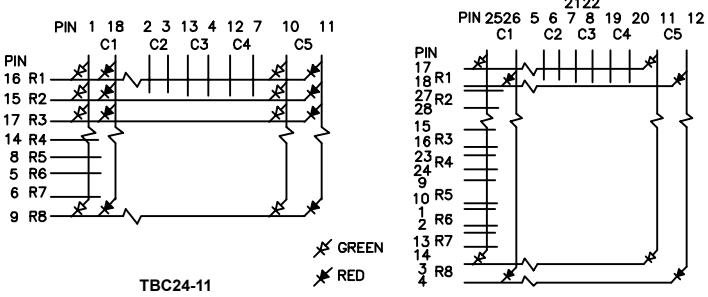
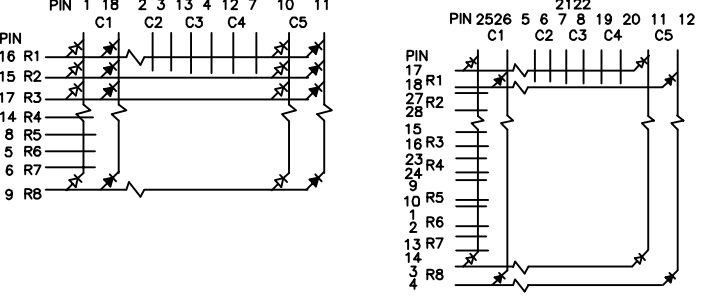
NOTES:
 1. All dimensions are in millimeters(inches).
 2. Tolerance is ±0.25mm(0.01") unless otherwise noted.

DOT MATRIX

PART NUMBER		MATERIAL	λ D (nm)	Iv (ucd) @10mA		DIMENSION				
COLUMN ANODE	COLUMN CATHODE			MIN.	TYP.					
TA23-11SEKWA	TC23-11SEKWA	AlGaInP	● 601	75000	183300	<p>2.3 inch (58mm), 8x8, Gray Face, White Dot</p> <p>A : TA/TC23-11 B : TBA/TBC23-12 C : TBA/TBC23-11</p>  <p>TX23</p>  <p>A,B,C FRONT VIEW</p>  <p>A,B,C SIDE VIEW</p>  <p>A END VIEW</p>  <p>B END VIEW</p>  <p>C END VIEW</p>  <p>TB23-11 SURKCGKWA</p> <p>TBC23-11 SURKCGKWA</p> <p>AlGaInP</p>	● 630	26000	107300	 <p>TB23-11</p> <p>TBC23-12</p>
TA23-11SURKWA	TC23-11SURKWA	AlGaInP	● 630	26000	107300					
TA23-11SYKWA	TC23-11SYKWA	AlGaInP	● 590	26000	80500		 <p>TBA23-11</p> <p>TBC23-11</p>			
TA23-11CGKWA	TC23-11CGKWA	AlGaInP	● 570	18000	73700					
TBA23-11 SURKCGKWA	TBC23-11 SURKCGKWA	AlGaInP	● 630	26000	107300		 <p>TBA23-11</p> <p>TBC23-11</p>			
TBA23-11 SURKCGKWA	TBC23-11 SURKCGKWA	AlGaInP	● 570	18000	73700					
TBA23-12 SURKCGKWA	TBC23-12 SURKCGKWA	AlGaInP	● 630	26000	107300		 <p>TBA23-11</p> <p>TBC23-11</p>			
TBA23-12 SURKCGKWA	TBC23-12 SURKCGKWA	AlGaInP	● 570	18000	73700					


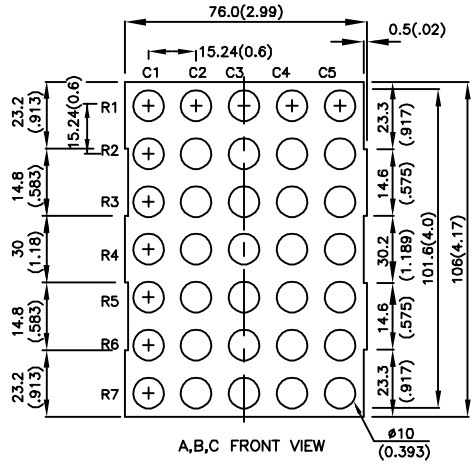
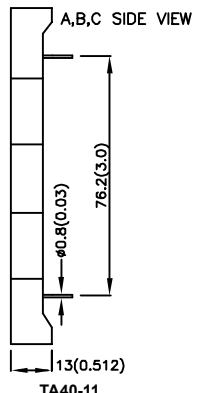


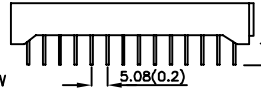
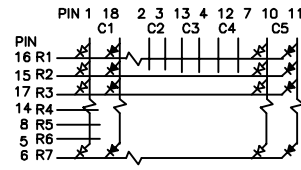
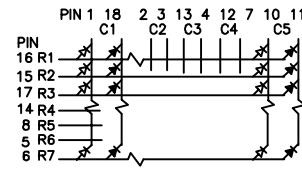
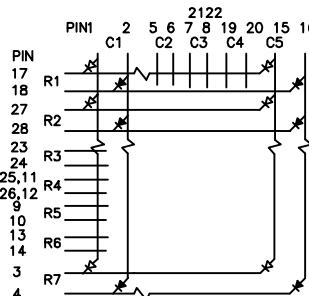
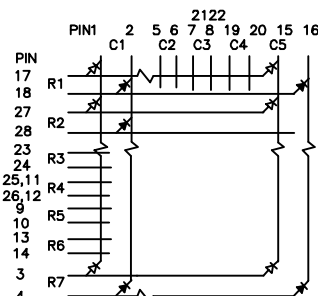
NOTES:
1. All dimensions are in millimeters(inches).
2. Tolerance is ±0.25mm(0.01") unless otherwise noted.

DOT MATRIX

PART NUMBER		MATERIAL	λ D (nm)	Iv (ucd) @10mA		DIMENSION
COLUMN ANODE	COLUMN CATHODE			MIN.	TYP.	
TA24-11SEKWA	TC24-11SEKWA	AlGaInP	601	44000	250700	2.4 inch (60.8mm), 5x8, Gray Face, White Dot A: TA/TC24-11 B: TBA/TBC24-11  A, B FRONT VIEW A, B SIDE VIEW TBA/TBC24-22  A END VIEW B END VIEW  TA24-11 TC24-11  TBA24-11 TBA24-22  TBC24-11 TBC24-22  * GREEN * RED
TA24-11SURKWA	TC24-11SURKWA	AlGaInP	630	44000	120000	
TA24-11SYKWA	TC24-11SYKWA	AlGaInP	590	44000	230400	
TA24-11CGKWA	TC24-11CGKWA	AlGaInP	570	26000	61600	
TBA24-11 SURKCGKWA	TBC24-11 SURKCGKWA	AlGaInP	630	44000	120000	
TBA24-11 SURKCGKWA	TBC24-11 SURKCGKWA	AlGaInP	570	26000	61600	
TBA24-22 SURKCGKWA	TBC24-22 SURKCGKWA	AlGaInP	630	44000	120000	
TBA24-22 SURKCGKWA	TBC24-22 SURKCGKWA	AlGaInP	570	26000	61600	

NOTES:
 1. All dimensions are in millimeters(inches).
 2. Tolerance is $\pm 0.25\text{mm}(0.01")$ unless otherwise noted.

DOT MATRIX

PART NUMBER		MATERIAL	λ D (nm)	Iv (ucd) @10mA		DIMENSION
COLUMN ANODE	COLUMN CATHODE			MIN.	TYP.	
TA40-11SEKWA	TC40-11SEKWA	AlGaInP	601	75000	306000	<p>4.0 inch (100mm), 5x7, Gray Face, White Dot</p> <p>A : TA/TC40-11 B : TBA/TBC40-11 C : TBA/TBC40-12</p>  <p>A,B,C FRONT VIEW</p>  <p>A,B,C SIDE VIEW</p>  <p>A END VIEW</p>  <p>B END VIEW</p>  <p>C END VIEW</p>  <p>TBA40-11</p>  <p>TBC40-11</p>  <p>TBA40-12</p>  <p>TBC40-12</p>  <p>✱ FOR 2 RED CHIPS ✱ FOR 2 GREEN CHIPS</p>
TA40-11SURKWA	TC40-11SURKWA	AlGaInP	630	26000	97500	
TA40-11SYKWA	TC40-11SYKWA	AlGaInP	590	75000	302000	
TA40-11CGKWA	TC40-11CGKWA	AlGaInP	570	26000	90000	
TBA40-11 SURKCGKWA	TBC40-11 SURKCGKWA	AlGaInP	630	26000	97500	
		AlGaInP	570	26000	90000	
TBA40-12 SURKCGKWA	TBC40-12 SURKCGKWA	AlGaInP	630	26000	97500	
		AlGaInP	570	26000	90000	

NOTES:
1. All dimensions are in millimeters(inches).
2. Tolerance is ±0.25mm(0.01") unless otherwise noted.