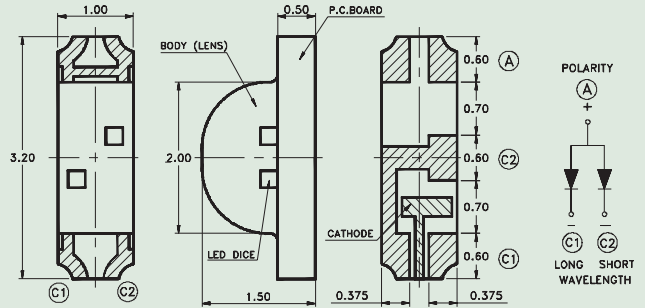
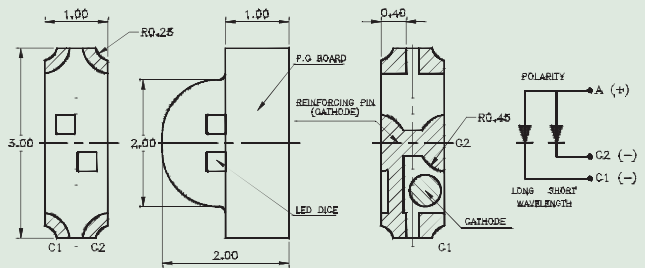


Side View Chip LED Dual-Color 3.2(L) x 1.5(W) x 1.0(H)mm



| Part No. | Material | Lens Color | Wd | Viewing Angle $2\theta^{1/2^\circ}$ | I _v Typ. @ 20mA | V _F Typ. @ 20mA | Tape and Reel |
|-----------------|----------|-------------|-------|-------------------------------------|----------------------------|----------------------------|--------------------|
| LTST-S115KGJSKT | Green | Water Clear | 571nm | 130° | 35mcd | 2.0V | 3,000 pcs per Reel |
| | Yellow | | 589nm | | 75mcd | | |
| LTST-S115KGJRKT | Green | Water Clear | 571nm | 130° | 35mcd | 2.0V | 3,000 pcs per Reel |
| | Red | | 631nm | | 45mcd | | |

Side View Chip LED Dual-Color 3.0(L) x 2.0(W) x 1.0(H)mm



| Part No. | Material | Lens Color | Wd | Viewing Angle $2\theta^{1/2^\circ}$ | I _v Typ. @ 20mA | V _F Typ. @ 20mA | Tape and Reel |
|-----------------|----------|-------------|-------|-------------------------------------|----------------------------|----------------------------|--------------------|
| LTST-S326KGJSKT | Green | Water Clear | 571nm | 130° | 35mcd | 2.0V | 3,000 pcs per Reel |
| | Yellow | | 589nm | | 75mcd | | |
| LTST-S326KGJRKT | Green | Water Clear | 571nm | 130° | 35mcd | 2.0V | 3,000 pcs per Reel |
| | Red | | 631nm | | 45mcd | | |