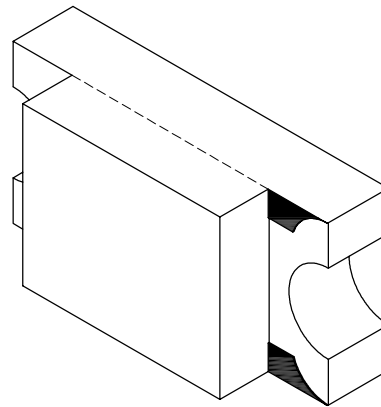
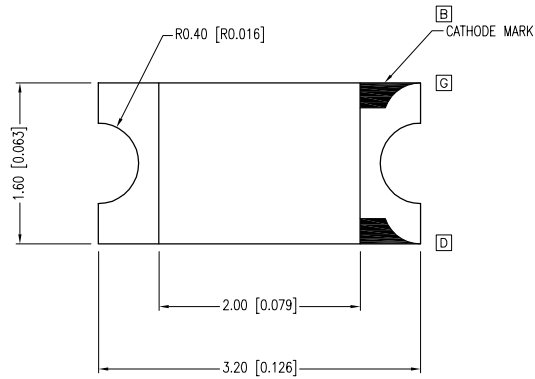
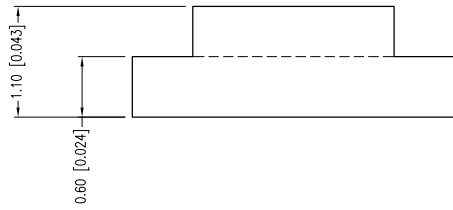


| PART NUMBER | SML-LX1206YC-TR                     | REV. | J    |
|-------------|-------------------------------------|------|------|
| DATE        | E.C.N. NUMBER AND REVISION COMMENTS |      | REV. |
| 11.01.95    | ADDED TAPE DIRECTION AND POLARITY.  |      | A    |
| 12.18.97    | E.C.N. #10BRDR. & REDRAWN IN 3D.    |      | B    |
| 07.18.00    | E.C.N. #10644. & REDRAWN IN 3D      |      | C    |
| 12.03.01    | E.C.N. #10814.                      |      | D    |
| 03.14.03    | E.C.N. #10967.                      |      | E    |
| 01.20.05    | E.C.N. #11148.                      |      | F    |
| 01.07.08    | E.C.N. #11466                       |      | G    |
| 03.09.09    | E.C.N. #11508.                      |      | H    |
| 07.19.10    | E.C.N. #11644.                      |      | I    |
| 04.20.11    | E.C.N. #10BRDR. & REDRAWN.          |      | J    |



| ELECTRO-OPTICAL CHARACTERISTICS TA =25°C If=20mA |             |      |     |          |           |
|--------------------------------------------------|-------------|------|-----|----------|-----------|
| PARAMETER                                        | MIN         | TYP. | MAX | UNITS    | TEST COND |
| PEAK WAVELENGTH                                  |             | 585  |     | nm       |           |
| FORWARD VOLTAGE                                  |             | 2.1  | 2.6 | Vf       |           |
| REVERSE VOLTAGE                                  | 5.0         |      |     | Vr       | Ir=100µA  |
| AXIAL INTENSITY                                  |             | 6    |     | mcd      | If=20mA   |
| VIEWING ANGLE                                    |             | 160  |     | 2x theta |           |
| EMITTED COLOR:                                   | YELLOW      |      |     |          |           |
| EPOXY LENS FINISH:                               | WATER CLEAR |      |     |          |           |

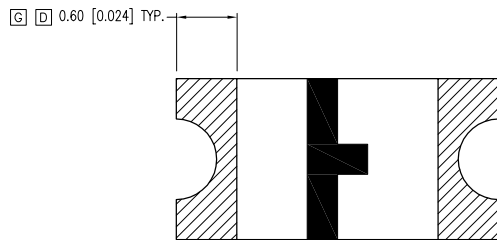
ANODE CATHODE



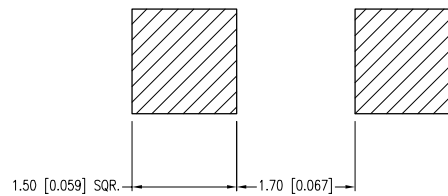
| LIMITS OF SAFE OPERATION AT 25°C |            |       |
|----------------------------------|------------|-------|
| PARAMETER                        | MAX        | UNITS |
| PEAK FORWARD CURRENT*            | 100        | mA    |
| STEADY CURRENT                   | 25         | mA    |
| POWER DISSIPATION                | 65         | mW    |
| DERATE FROM 25°C                 | -1.2       | mW/°C |
| OPERATING TEMP.                  | -40 TO +85 | °C    |
| STORAGE TEMP.                    | -40 TO +85 | °C    |

\* t<10µS

CAUTION: MOISTURE SENSITIVE DEVICE  
PER JEDEC LEVEL 2 STANDARDS



RECOMMENDED SOLDER PAD LAYOUT



\*UNLESS OTHERWISE SPECIFIED TOLERANCES PER DECIMAL PRECISION ARE: X=±1 (±0.039), X.X=±0.5 (±0.020), X.XX=±0.25 (±0.010), X.XXX=±0.127 (±0.005). LEAD SIZE=±0.05 (±0.002), LEAD LENGTH=±0.75 (±0.030). MIN= +<sup>DECIMAL PRECISION</sup> MAX.= +<sup>0.00</sup>/<sub>-0.00</sub> DECIMAL PRECISION



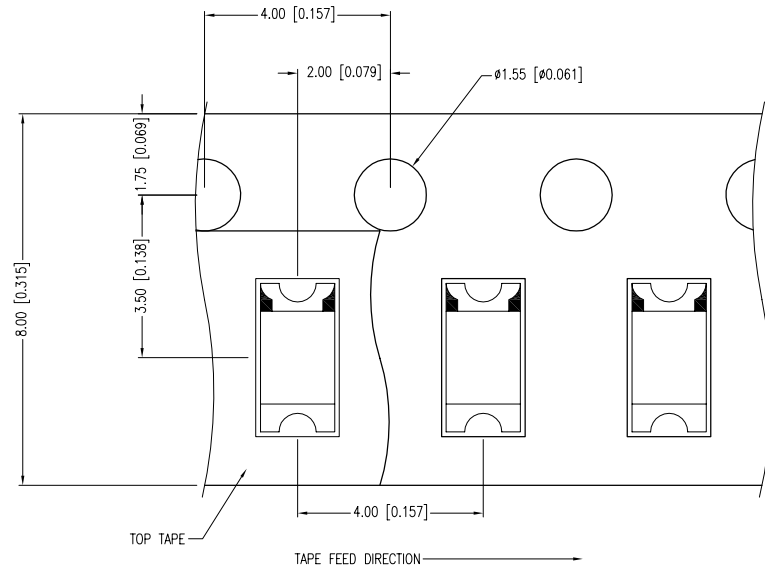
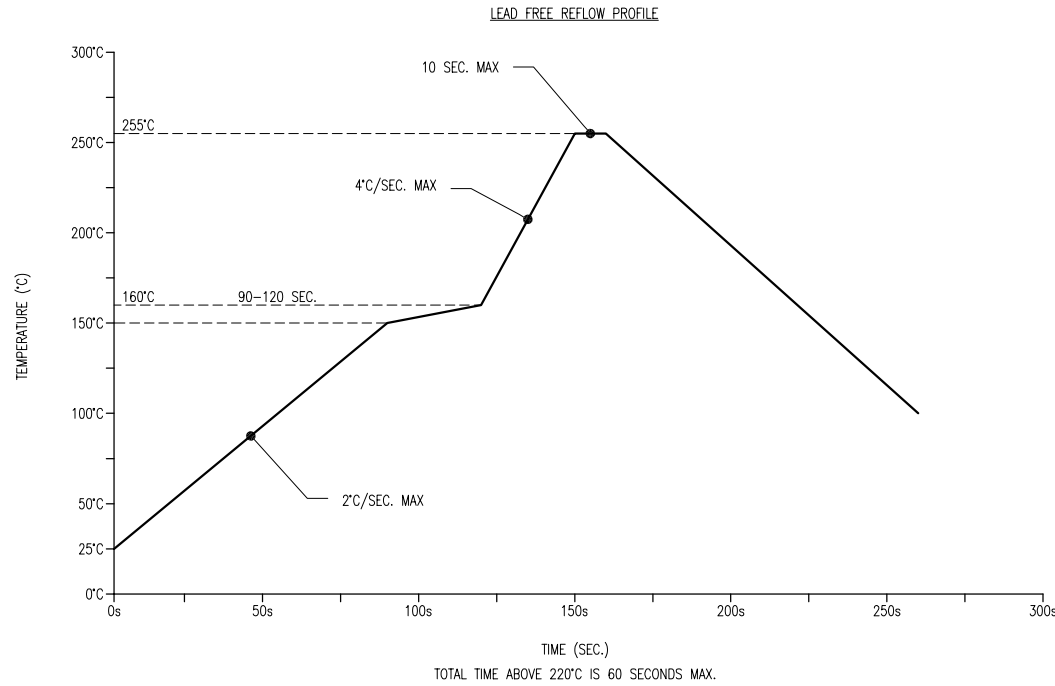
290 E. HELEN ROAD  
PALATINE, IL 60067-6976  
PHONE: +1.847.359.2790  
FAX: +1.847.359.6538  
WEB: WWW.LUMEX.COM

3.2mm x 1.6mm PCB SURFACE MOUNT LED, 585nm YELLOW LED, WATER CLEAR LENS, TAPE & REEL.

\*\*THE SPECIFICATIONS MAY CHANGE AT ANY TIME WITHOUT NOTICE DUE TO NEW MATERIALS OR PRODUCT IMPROVEMENT.\*\*

CONFIDENTIAL INFORMATION  
THE INFORMATION CONTAINED IN THIS DOCUMENT IS THE PROPERTY OF LUMEX INC. EXCEPT AS SPECIFICALLY AUTHORIZED IN WRITING BY LUMEX INC., THE HOLDER OF THIS DOCUMENT SHALL KEEP ALL INFORMATION CONTAINED HEREIN CONFIDENTIAL AND SHALL PROTECT SAME IN WHOLE OR IN PART FROM DISCLOSURE AND DISSEMINATION TO ALL THIRD PARTIES.

|        |           |           |    |
|--------|-----------|-----------|----|
| DATE:  | 04.20.11  | DRAWN BY: | AB |
| PAGE:  | 1 OF 2    | CHKD BY:  | KF |
| SCALE: | NTS       | APRVD BY: | SS |
| UNIT:  | mm [INCH] |           |    |



**NOTES:**  
 1. THE CATHODE MARK IS ORIENTED TOWARDS THE TAPE SPROCKET HOLE.

\*UNLESS OTHERWISE SPECIFIED TOLERANCES PER DECIMAL PRECISION ARE: X=±1 (±0.039), X.X=±0.5 (±0.020), X.XX=±0.25 (±0.010), X.XXX=±0.127 (±0.005). LEAD SIZE=±0.05 (±0.002), LEAD LENGTH=±0.75 (±0.030). MIN= <sup>+0.00</sup>/<sub>-0.00</sub> DECIMAL PRECISION MAX.= <sup>+0.00</sup>/<sub>-0.00</sub> DECIMAL PRECISION

UNCONTROLLED DOCUMENT



290 E. HELEN ROAD  
 PALATINE, IL 60067-6976  
 PHONE: +1.847.359.2790  
 FAX: +1.847.359.6538  
 WEB: WWW.LUMEX.COM

3.2mm x 1.6mm PCB SURFACE MOUNT LED, 585nm YELLOW LED, WATER CLEAR LENS, TAPE & REEL.

\*\*THE SPECIFICATIONS MAY CHANGE AT ANY TIME WITHOUT NOTICE DUE TO NEW MATERIALS OR PRODUCT IMPROVEMENT.\*\*

CONFIDENTIAL INFORMATION  
 THE INFORMATION CONTAINED IN THIS DOCUMENT IS THE PROPERTY OF LUMEX INC. EXCEPT AS SPECIFICALLY AUTHORIZED IN WRITING BY LUMEX INC., THE HOLDER OF THIS DOCUMENT SHALL KEEP ALL INFORMATION CONTAINED HEREIN CONFIDENTIAL AND SHALL PROTECT SAME IN WHOLE OR IN PART FROM DISCLOSURE AND DISSEMINATION TO ALL THIRD PARTIES.

|        |           |           |    |
|--------|-----------|-----------|----|
| DATE:  | 04.20.11  | DRAWN BY: | AB |
| PAGE:  | 2 OF 2    | CHKD BY:  | KF |
| SCALE: | NTS       | APRVD BY: | SS |
| UNIT:  | mm [INCH] |           | Ⓟ  |