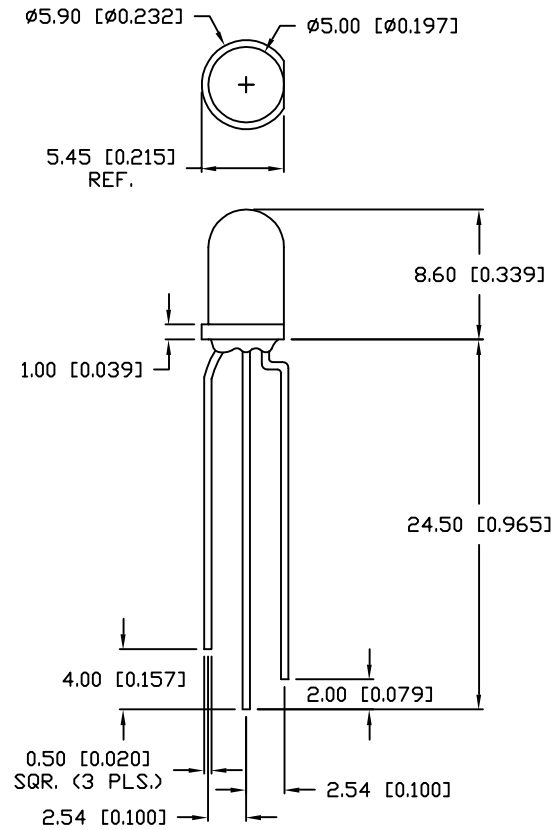


PART NUMBER
SSL-LX5099LBI-SRD

REV.
C

| REV. | E.C.N. NUMBER AND REVISION COMMENTS | DATE |
|------|-------------------------------------|----------|
| A | E.C.N. #10192./ | 6-24-96 |
| B | E.C.N. #10BRDR. & REDRAWN./ | 10-10-97 |
| C | E.C.N. #10470./ | 10-23-98 |



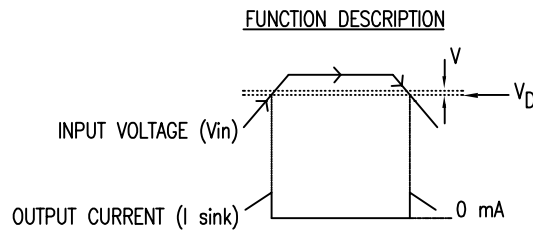
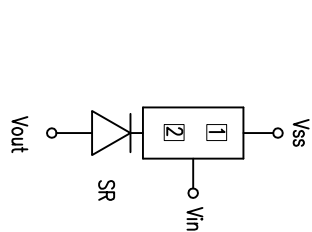
ELECTRO-OPTICAL CHARACTERISTICS $T_A=25^{\circ}\text{C}$

| BATTERIES | 3 | 4 | 5 | 6 |
|---------------------------------------|-----------------|-----------------|-----------------|-----------------|
| PEAK WAVELENGTH | 660 (RED) | | | |
| INPUT VOLTAGE (V_{in}) | 4.5 | 6.0 | 7.5 | 9.0 |
| DETECTION VOLTAGE (V_d) | 3.75 | 5.0 | 6.25 | 7.5 |
| AXIAL INTENSITY (μcd)* | 10 | 10 | 10 | 10 |
| STANDBY CURRENT (I_{in})** | 5 μA | 5 μA | 5 μA | 5 μA |
| HYSTERESIS VOLTAGE (V_{hyst}) | 150mV | 200mV | 250mV | 300mV |
| OUTPUT SINK CURRENT (I_{sink} ***) | 10.5 mA | 10.5 mA | 10.5 mA | 10.5 mA |
| VIEWING ANGLE (TYP.) | 60 | 60 | 60 | 60 |
| OPERATING TEMPERATURE | 0°C TO 85°C | | | |
| STORAGE TEMPERATURE | -40°C TO 100°C | | | |
| EMITTEND COLOR | RED | | | |
| EPOXY LENS FINISH: | RED DIFFUSED | | | |

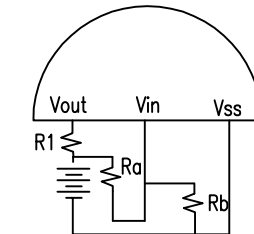
*TEST CONDITON AT 10.5mA

**TEST CONDITION AT INPUT VOLTAGE PER BATTERY COUNT

***TEST CONDITION AT DETECTION VOLTAGE PER BATTERY COUNT



EXTERNAL PARTS CONNECTION



THREE TO SIX BATTERY DETECTION

NOTES

$$1. V_D \approx \frac{R_a + R_b}{R_b} \times 2.5V$$

$$V_{hys} \approx \frac{R_a + R_b}{R_b} \times 100mV$$

- PLEASE NOTE THAT WHEN VALUE OF R_a BECOMES EXCESSIVELY LARGE, THE DETECTION VOLTAGE MAY DIFFER FROM THE VALUE CALCULATED BY THE USE OF THE ABOVE FORMULA.
- R_1 IS OPTIONAL FOR LIMITING OUTPUT CURRENT.

$$4. R_a + R_b < \frac{V_{bat}}{I_{in}} \times E\%, I_{in} \ll I_R$$

E% = RESISTOR TOLERANCE

*UNLESS OTHERWISE SPECIFIED TOLERANCE IS $\pm 0.25\text{mm}$ ($\pm 0.010''$)

REV.
C

PART NUMBER
SSL-LX5099LBI-SRD

T-5mm (T-1 3/4) LED, LOW BATTERY DETECTOR LED,
SUPER RED, FOR 3~6 BATTERIES.

CONFIDENTIAL INFORMATION
THE INFORMATION CONTAINED IN THIS DOCUMENT IS THE PROPERTY OF LUMEX INC. EXCEPT AS SPECIFICALLY AUTHORIZED IN WRITING BY LUMEX INC., THE HOLDER OF THIS DOCUMENT SHALL KEEP ALL INFORMATION CONTAINED HEREIN CONFIDENTIAL AND SHALL PROTECT SAME IN WHOLE OR IN PART FROM DISCLOSURE AND DISSEMINATION TO ALL THIRD PARTIES.

RELIABILITY NOTE
OUR MANY YEARS OF EXPERIENCE DATA ACCUMULATION INDICATE THAT SOLDER HEAT IS A MAJOR CAUSE OF EARLY AND FUTURE FAILURE. PLEASE PAY ATTENTION TO YOUR SOLDERING PROCESS.

LUMEX
INCORPORATED

290 E. HELLEN ROAD
PALATINE, ILLINOIS 60067
PHONE: 1-847-359-2790
WEB: HTTP://WWW.LUMEX.COM

| | | | |
|-----------|-------------|--------------|----------------------------|
| DRAWN BY: | CHECKED BY: | APPROVED BY: | DATE: 4-27-96 |
| TM/BC | | | PAGE: 1 OF 1 SCALE: N/A |