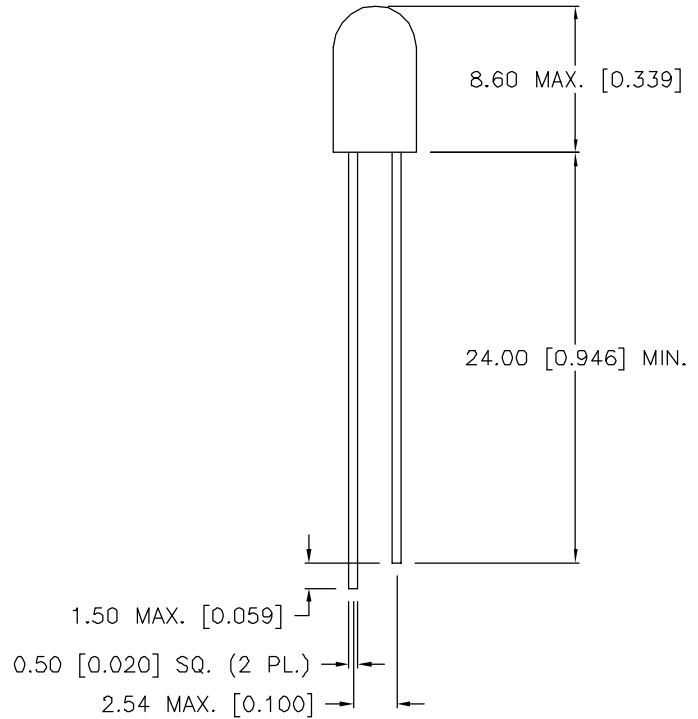
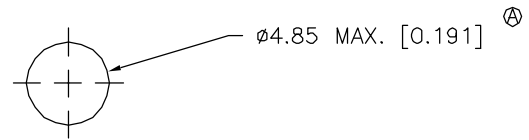


DATE	REVISIONS	REV
9-16-92	REDRAWN, CHG'D DIA. FROM 4.8 TO 4.85 MAX./	A
9-12-95	REDRAWN, UPDATED SAFE OPER. SPECS./	B

DRAWING NUMBER SSL-LX509F3YT	REV B
--	-----------------



ELECTRO-OPTICAL CHARACTERISTICS $T_A = 25^\circ\text{C}$ $I_f = 20\text{mA}$

PARAMETER	MIN	TYP	MAX	UNITS	TEST COND
PEAK WAVELENGTH		585 (YELLOW)		nm	
FORWARD VOLTAGE		2.1	2.8	V_f	
REVERSE VOLTAGE	5.0			V_r	$I_r = 100\mu\text{A}$
AXIAL INTENSITY		80		mcd	$I_f = 20\text{mA}$
VIEWING ANGLE		25		2x theta	
EMITTED COLOR	YELLOW				
EPOXY LENS FINISH	YELLOW TRANSPARENT				

ⓐ LIMITS OF SAFE OPERATION AT 25°C

PARAMETER	MAX	UNITS
PEAK FORWARD CURRENT*	150	mA
STEADY CURRENT	30	mA
POWER DISSIPATION	105	mW
DERATE FROM 25°C	-1.2	mW/ $^\circ\text{C}$
OPERATING, STORAGE TEMP	-40 TO +85	$^\circ\text{C}$
LEAD SOLDERING TEMP	+260	$^\circ\text{C}$
2.0mm FROM BODY		3 SEC. MAX

* $t < 10\mu\text{s}$

RELIABILITY NOTE
OUR MANY YEARS OF EXPERIENCE DATA ACCUMULATION INDICATE THAT SOLDER HEAT IS A MAJOR CAUSE OF EARLY AND FUTURE FAILURE. PLEASE PAY ATTENTION TO YOUR SOLDERING PROCESS.

LUMEX OPTO COMPONENTS INC.	292 E. HELLEN ROAD PALATINE, ILLINOIS 60067 (708) 359-2790		
--------------------------------------	--	--	--

CONFIDENTIAL INFORMATION
THE INFORMATION CONTAINED IN THIS DOCUMENT IS THE PROPERTY OF LUMEX OPTO/COMPONENTS, INC. EXCEPT AS SPECIFICALLY AUTHORIZED IN WRITING BY LUMEX OPTO/COMPONENTS, INC., THE HOLDER OF THIS DOCUMENT SHALL KEEP ALL INFORMATION CONTAINED HEREIN CONFIDENTIAL AND SHALL PROTECT SAME IN WHOLE OR IN PART FROM DISCLOSURE AND DISSEMINATION TO ALL THIRD PARTIES.

DATE: 4-10-92	DWN:	CHK'D:	APPD:
SCALE: N/A			

T-5 (T-1 3/4) FLANGELESS LED,
YELLOW TRANSPARENT

PAGE 1 OF 1	DRAWING NUMBER SSL-LX509F3YT	REV B
-------------	--	-----------------