

**NICHIA CORPORATION**

## **SPECIFICATIONS FOR WHITE LED**

### **NC2W170BT**

- Pb-free Reflow Soldering Application
- Built-in ESD Protection Device
- RoHS Compliant



## SPECIFICATIONS

### (1) Absolute Maximum Ratings

| Item                      | Symbol    | Absolute Maximum Rating | Unit |
|---------------------------|-----------|-------------------------|------|
| Forward Current           | $I_F$     | 1200                    | mA   |
| Pulse Forward Current     | $I_{FP}$  | 1500                    | mA   |
| Allowable Reverse Current | $I_R$     | 85                      | mA   |
| Power Dissipation         | $P_D$     | 8.88                    | W    |
| Operating Temperature     | $T_{opr}$ | -40~125                 | °C   |
| Storage Temperature       | $T_{stg}$ | -40~125                 | °C   |
| Junction Temperature      | $T_J$     | 150                     | °C   |

\* Absolute Maximum Ratings at  $T_S=25^{\circ}\text{C}$ .

\*  $I_{FP}$  conditions with pulse width  $\leq 10\text{ms}$  and duty cycle  $\leq 10\%$ .

### (2) Initial Electrical/Optical Characteristics

| Item                    | Symbol                | Condition           | Typ    | Max | Unit |
|-------------------------|-----------------------|---------------------|--------|-----|------|
| Forward Voltage         | $V_F$                 | $I_F=1000\text{mA}$ | 6.8    | -   | V    |
| Luminous Flux           | $\Phi_v$              | $I_F=1000\text{mA}$ | 630    | -   | lm   |
| Chromaticity Coordinate | x                     | $I_F=1000\text{mA}$ | 0.3292 | -   | -    |
|                         | y                     | $I_F=1000\text{mA}$ | 0.3439 | -   | -    |
| Thermal Resistance      | $R_{\theta JS\_real}$ | -                   | 2.7    | 3.6 | °C/W |
|                         | $R_{\theta JS\_el}$   | -                   | 1.9    | 2.7 | °C/W |

\* Characteristics at  $T_S=25^{\circ}\text{C}$ .

\* Luminous Flux value as per CIE 127:2007 standard.

\* Chromaticity Coordinates as per CIE 1931 Chromaticity Chart.

\*  $R_{\theta JS\_real}$  are decided by taking into account energy conversion efficiency. Please refer to JESD51.

## RANKS

| Item            | Rank | Min | Max | Unit |
|-----------------|------|-----|-----|------|
| Forward Voltage | -    | 5.8 | 7.4 | V    |
| Luminous Flux   | M650 | 650 | 700 | lm   |
|                 | M600 | 600 | 650 |      |
|                 | M550 | 550 | 600 |      |
|                 | M500 | 500 | 550 |      |

### Color Ranks

|   | Rank asw60 |        |        |        |
|---|------------|--------|--------|--------|
| x | 0.3163     | 0.3138 | 0.3296 | 0.3300 |
| y | 0.3181     | 0.3381 | 0.3526 | 0.3308 |

|   | Rank sw50 |        |        |        |
|---|-----------|--------|--------|--------|
| x | 0.3366    | 0.3376 | 0.3548 | 0.3515 |
| y | 0.3369    | 0.3616 | 0.3736 | 0.3487 |

|   | Rank sw57 |        |        |        |
|---|-----------|--------|--------|--------|
| x | 0.3221    | 0.3207 | 0.3376 | 0.3366 |
| y | 0.3261    | 0.3462 | 0.3616 | 0.3369 |

\* Ranking at  $T_s=25^\circ\text{C}$ .

\* Forward Voltage Tolerance:  $\pm 0.07\text{V}$

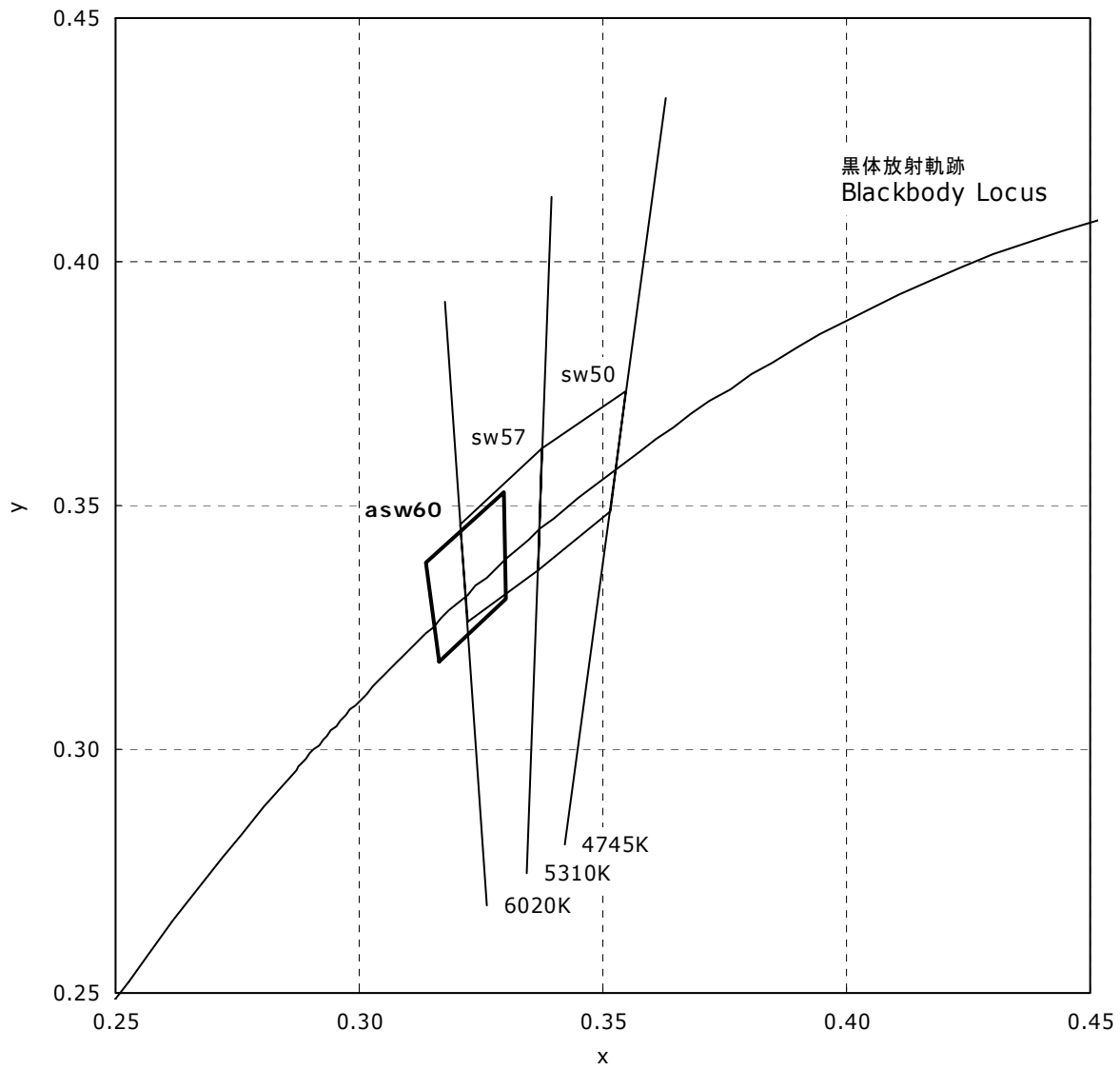
\* Luminous Flux Tolerance:  $\pm 7\%$

\* Chromaticity Coordinate Tolerance:  $\pm 0.005$

\* LEDs from the above ranks will be shipped.

The rank combination ratio per shipment will be decided by Nichia.

# CHROMATICITY DIAGRAM



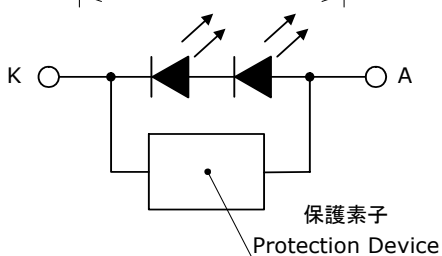
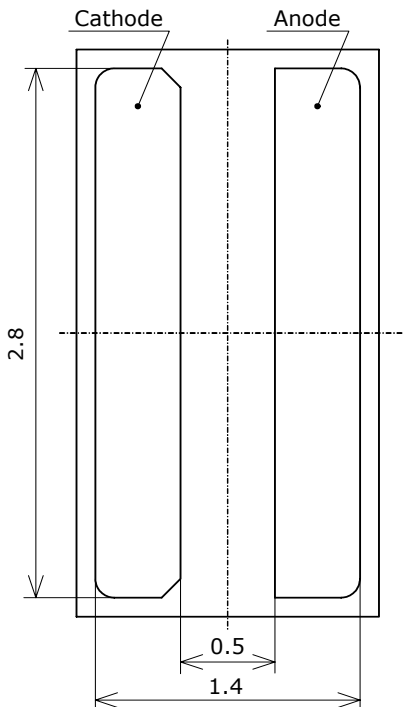
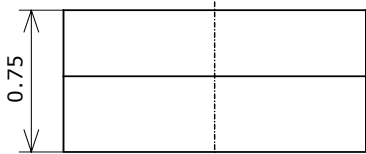
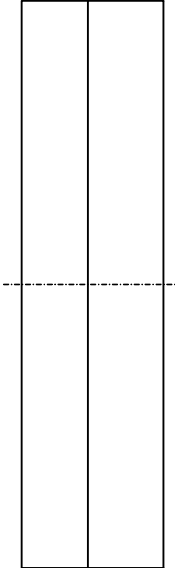
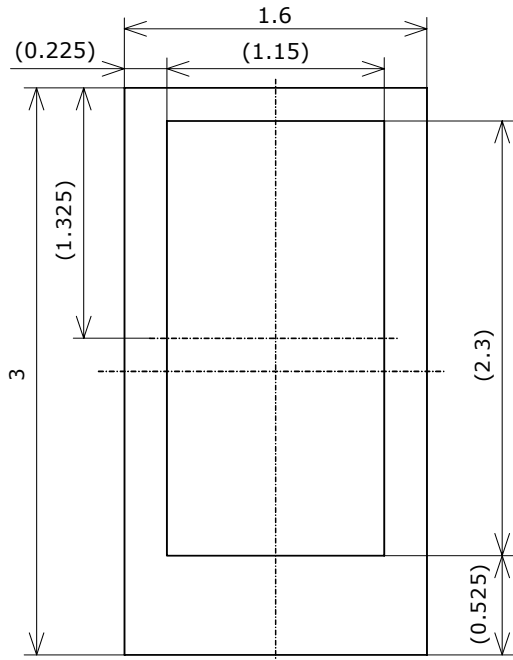
# OUTLINE DIMENSIONS

\* 本製品はRoHS指令に適合しております。  
This product complies with RoHS Directive.

NC2W170B  
管理番号 No. STS-DA7-5498A

\* 括弧で囲まれた寸法は参考値です。  
The dimension(s) in parentheses are for reference purposes.

(単位 Unit: mm, 公差 Tolerance: ±0.1)

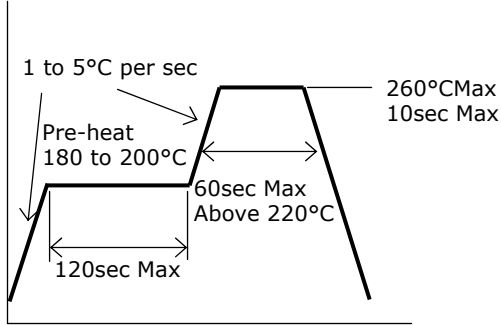


| 項目 Item                                    | 内容 Description                             |
|--|--|
| パッケージ材質<br>Package Materials               | セラミックス<br>Ceramics                         |
| 蛍光体板材質<br>Phosphor sheet<br>Materials      | 硬質ガラス(蛍光体入り)<br>Hard Glass (with phosphor) |
| 封止樹脂材質<br>Encapsulating Resin<br>Materials | シリコン樹脂<br>Silicone Resin                   |
| 電極材質<br>Electrodes Materials               | 金メッキ<br>Au-plated                          |
| 質量<br>Weight                               | 0.011g(TYP)                                |

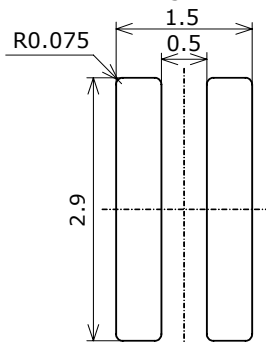
\* バリは寸法に含まないものとします。  
Dimensions do not include mold flash.

# SOLDERING

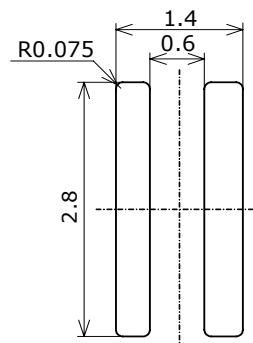
• Reflow Soldering Condition(Lead-free Solder)



• Recommended Soldering Pad Pattern



• Recommended Metal Solder Stencil Aperture



(単位 Unit: mm)

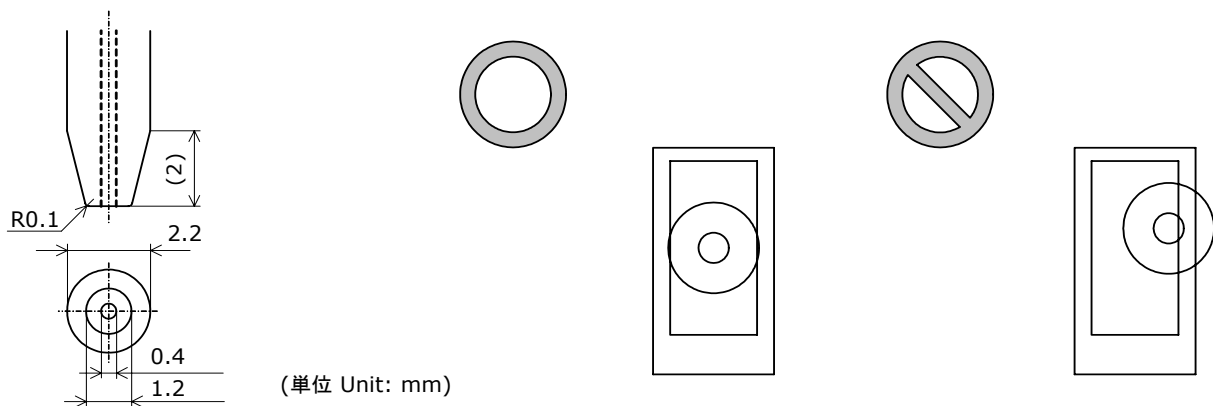
- \* This LED is designed to be reflow soldered on to a PCB. If dip soldered or hand soldered, Nichia cannot guarantee its reliability.
- \* Reflow soldering must not be performed more than twice.
- \* The reflow profile should be determined based on the recommended soldering conditions for the solder paste that is used.
- \* Avoid rapid cooling. Ramp down the temperature gradually from the peak temperature.
- \* Nitrogen reflow soldering is recommended. Air flow soldering conditions can cause optical degradation, caused by heat and/or atmosphere.
- \* This product uses glass on the emitting surface; if excessive force is applied, it may cause the glass to be damaged, chipped and/or deformed. If the glass is damaged, chipped and/or deformed, then the internal wires may be damaged and the reliability may decrease.

Recommended conditions:

Using a nozzle designed for the LEDs is recommended. (See the nozzle drawing below)

Nozzle contact area:

The center of the phosphor sheet. (See the second figure from the right)



(単位 Unit: mm)

If the nozzle is off-center and makes contact with the edges of the phosphor sheet, it may cause the glass to be chipped and/or damaged. One example of this is shown in the first figure from the right.

Placement pressure  $\leq 3.5\text{N/mm}^2$  \* max. force: 5N

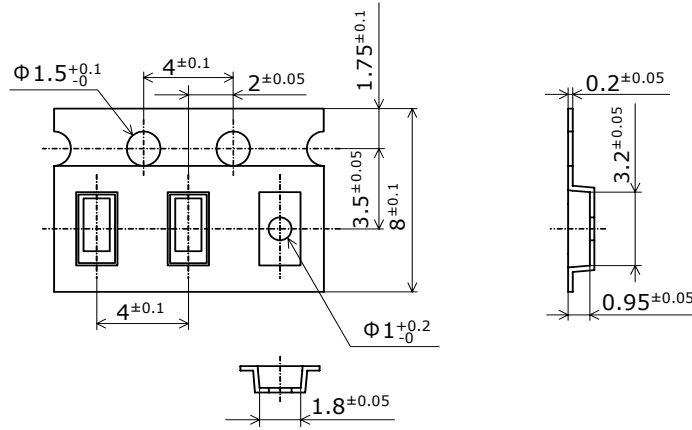
Vacuum pressure  $\leq 8\text{N/cm}^2$  ( $\leq 0.8\text{kgf/cm}^2$ )

- 
- \* Repairing should not be done after the LEDs have been soldered. When repairing is unavoidable, a hot plate should be used.  
It should be confirmed beforehand whether the characteristics of the LEDs will or will not be damaged by repairing.
  - \* When soldering, do not apply stress to the LED while the LED is hot.
  - \* When using a pick and place machine, choose an appropriate nozzle for this product.
  - \* The recommended soldering pad pattern is designed for attachment of the LED without problems.  
When precise mounting accuracy is required, such as high-density mounting, ensure that the size and shape of the pad are suitable for the circuit design.
  - \* When flux is used, it should be a halogen free flux. Ensure that the manufacturing process is not designed in a manner where the flux will come in contact with the LEDs.
  - \* Make sure that there are no issues with the type and amount of solder that is being used.
  - \* All of the electrode pads are on the backside of this product; solder connections will not be able to be seen nor confirmed by a normal visual inspection. When using the product, ensure that there are no issues with the soldering conditions.

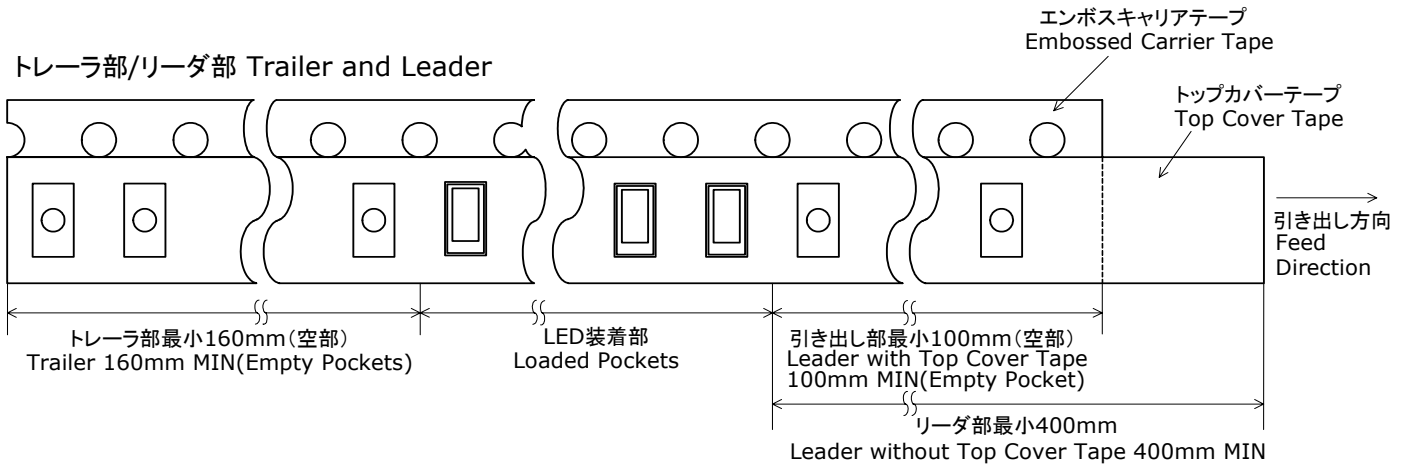
# TAPE AND REEL DIMENSIONS

## テーピング部 Tape

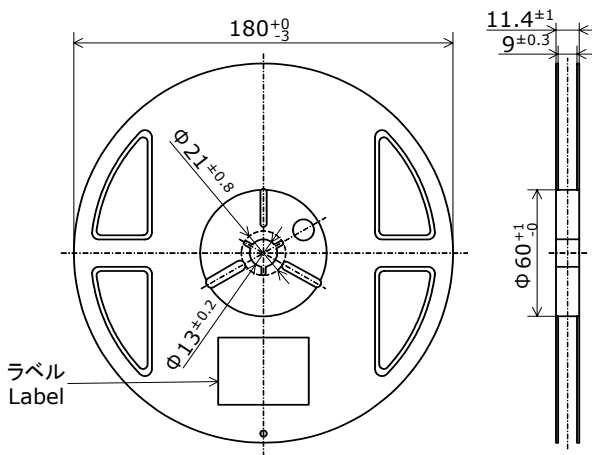
Nxxx170x  
 管理番号 No. STS-DA7-5262A  
 (単位 Unit: mm)



## トレーラ部/リーダ部 Trailer and Leader



## リール部 Reel



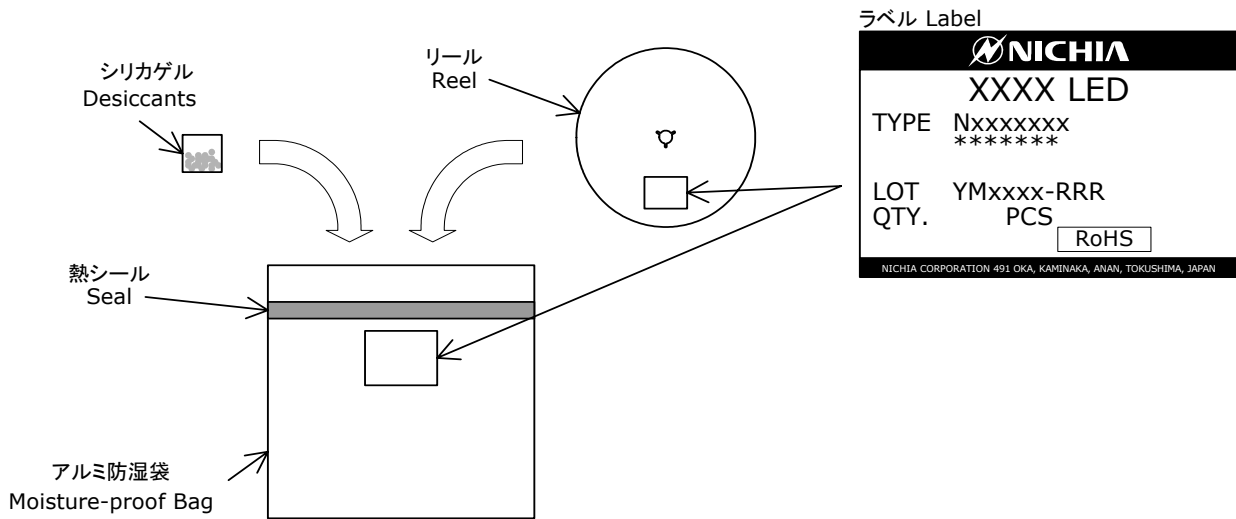
- \* 数量は1リールにつき 3500個入りです。  
 Reel Size: 3500pcs
- \* JIS C 0806電子部品テーピングに準拠しています。  
 The tape packing method complies with JIS C 0806 (Packaging of Electronic Components on Continuous Tapes).
- \* 実装作業の中断などでエンボスキャリアテープをリールに巻き取る場合、エンボスキャリアテープを強く(10N以上)締めないで下さい。LEDがカバーテープに貼り付く可能性があります。  
 When the tape is rewound due to work interruptions, no more than 10N should be applied to the embossed carrier tape. The LEDs may stick to the top cover tape.



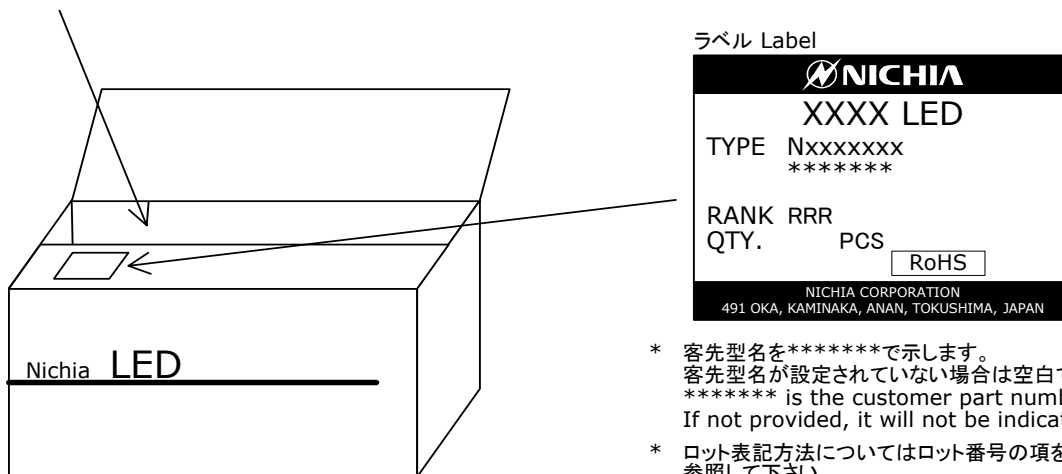
## PACKAGING - TAPE & REEL

シリカゲルとともにリールをアルミ防湿袋に入れ、熱シールにより封をします。  
Reels are shipped with desiccants in heat-sealed moisture-proof bags.

Nxxxxxxx  
管理番号 No. STS-DA7-0006C



アルミ防湿袋を並べて入れ、ダンボールで仕切ります。  
Moisture-proof bags are packed in cardboard boxes with corrugated partitions.



- \* 客先型名を\*\*\*\*\*で示します。  
客先型名が設定されていない場合は空白です。  
\*\*\*\*\* is the customer part number.  
If not provided, it will not be indicated on the label.
- \* ロット表記方法についてはロット番号の項を参照して下さい。  
For details, see "LOT NUMBERING CODE" in this document.
- \* ランク分けがない場合はランク表記はありません。  
The label does not have the RANK field for un-ranked products.

- \* 本製品はテーピングしたのち、輸送の衝撃から保護するためダンボールで梱包します。  
Products shipped on tape and reel are packed in a moisture-proof bag.  
They are shipped in cardboard boxes to protect them from external forces during transportation.
- \* 取り扱いに際して、落下させたり、強い衝撃を与えたりしますと、製品を損傷させる原因になりますので注意して下さい。  
Do not drop or expose the box to external forces as it may damage the products.
- \* ダンボールには防水加工がされておきませんので、梱包箱が水に濡れないよう注意して下さい。  
Do not expose to water. The box is not water-resistant.
- \* 輸送、運搬に際して弊社よりの梱包状態あるいは同等の梱包を行って下さい。  
Using the original package material or equivalent in transit is recommended.

## LOT NUMBERING CODE

Lot Number is presented by using the following alphanumeric code.

YMxxxx - RRR

Y - Year

| Year | Y |
|------|---|
| 2014 | E |
| 2015 | F |
| 2016 | G |
| 2017 | H |
| 2018 | I |
| 2019 | J |

M - Month

| Month | M | Month | M |
|-------|---|-------|---|
| 1     | 1 | 7     | 7 |
| 2     | 2 | 8     | 8 |
| 3     | 3 | 9     | 9 |
| 4     | 4 | 10    | A |
| 5     | 5 | 11    | B |
| 6     | 6 | 12    | C |

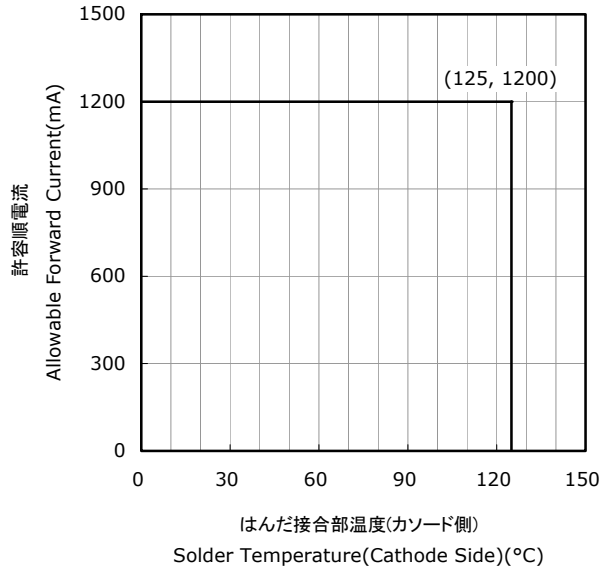
xxxx-Nichia's Product Number

RRR-Ranking by Color Coordinates, Ranking by Luminous Flux

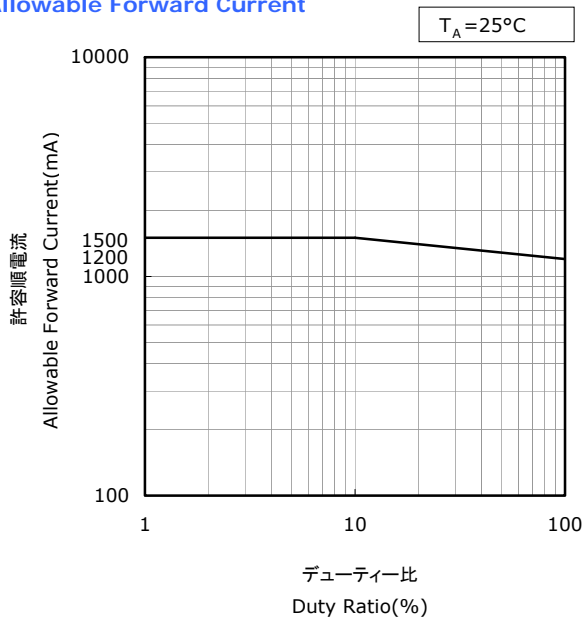
# DERATING CHARACTERISTICS

NCxx170B  
管理番号 No. STS-DA7-6974B

はんだ接合部温度(カソード側)-許容順電流特性  
Solder Temperature(Cathode Side) vs  
Allowable Forward Current



デューティー比-許容順電流特性  
Duty Ratio vs  
Allowable Forward Current

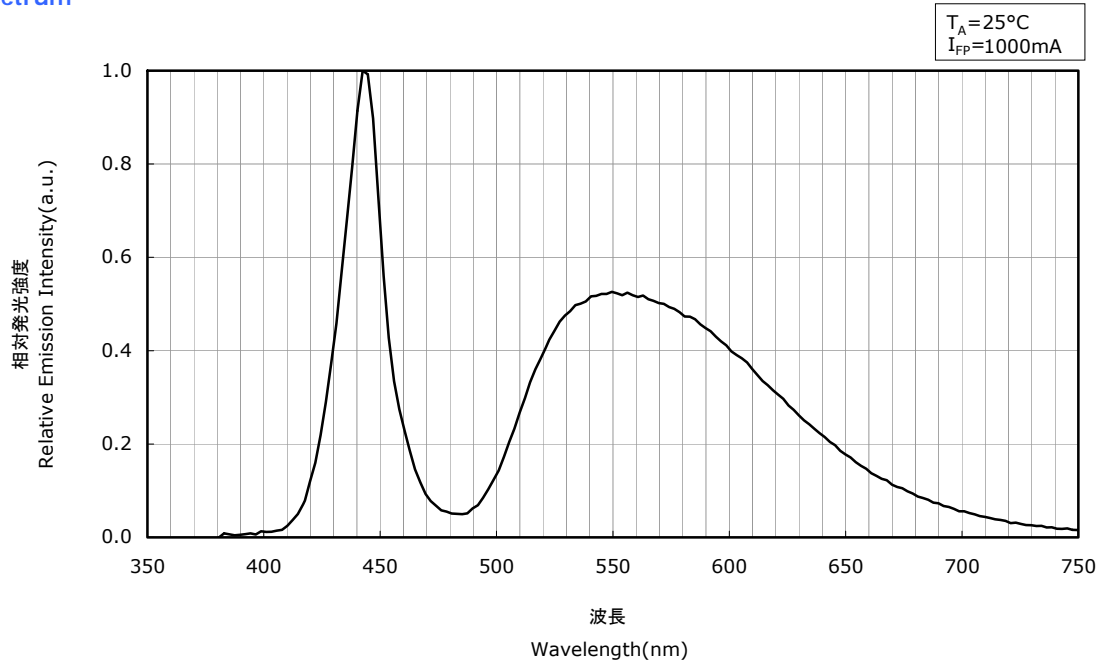


# OPTICAL CHARACTERISTICS

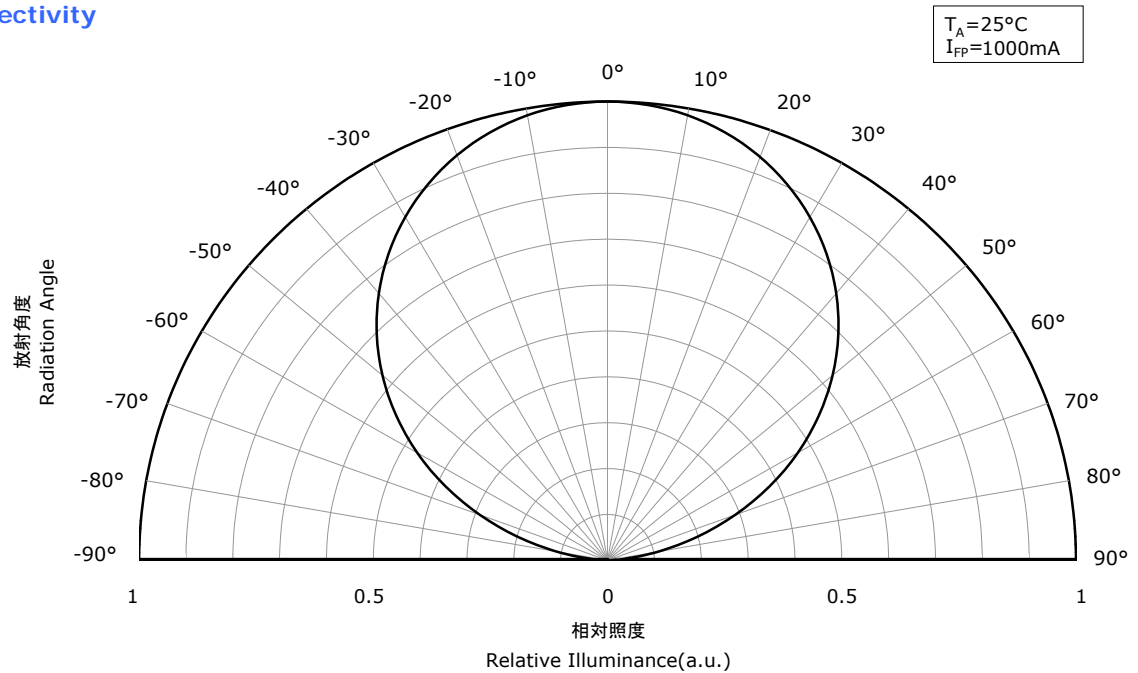
\* 本特性は参考です。  
All characteristics shown are for reference only and are not guaranteed.

NC2W170B  
管理番号 No. STS-DA7-5504A

## 発光スペクトル Spectrum



## 指向特性 Directivity

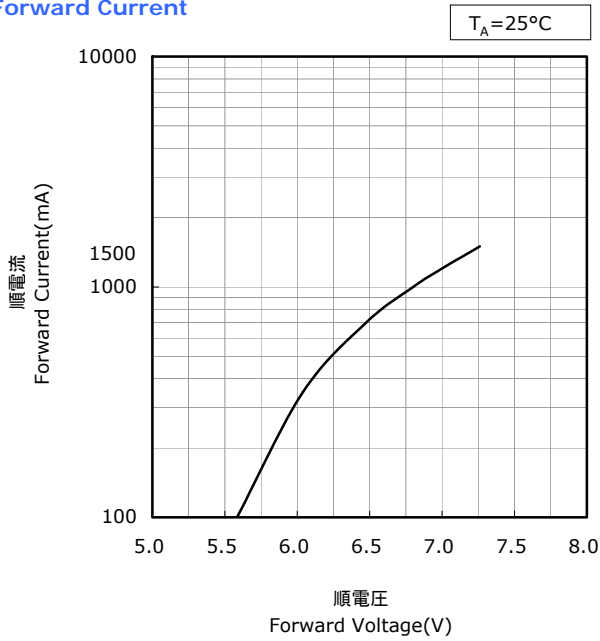


# FORWARD CURRENT CHARACTERISTICS / TEMPERATURE CHARACTERISTICS

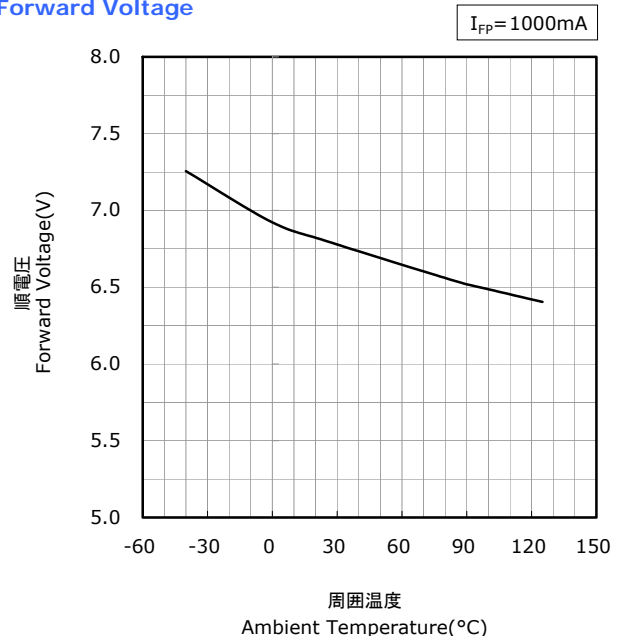
\* 本特性は参考です。  
All characteristics shown are for reference only and are not guaranteed.

NC2W170B  
管理番号 No. STS-DA7-5505B

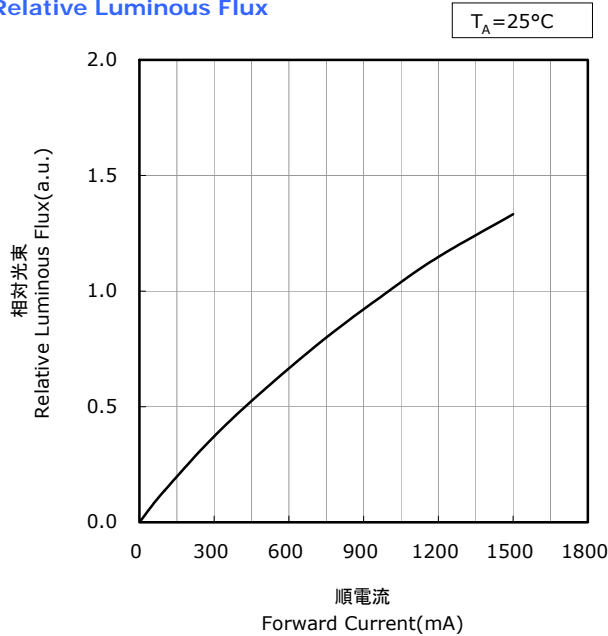
順電圧-順電流特性  
Forward Voltage vs  
Forward Current



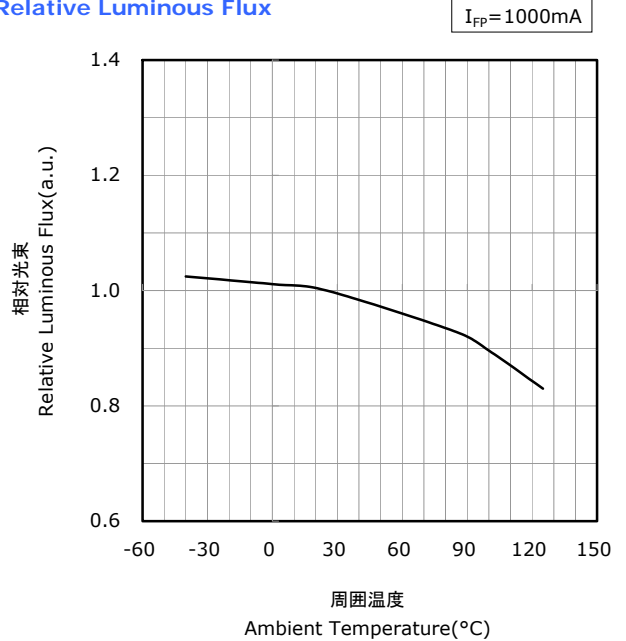
周囲温度-順電圧特性  
Ambient Temperature vs  
Forward Voltage



順電流-相対光束特性  
Forward Current vs  
Relative Luminous Flux



周囲温度-相対光束特性  
Ambient Temperature vs  
Relative Luminous Flux

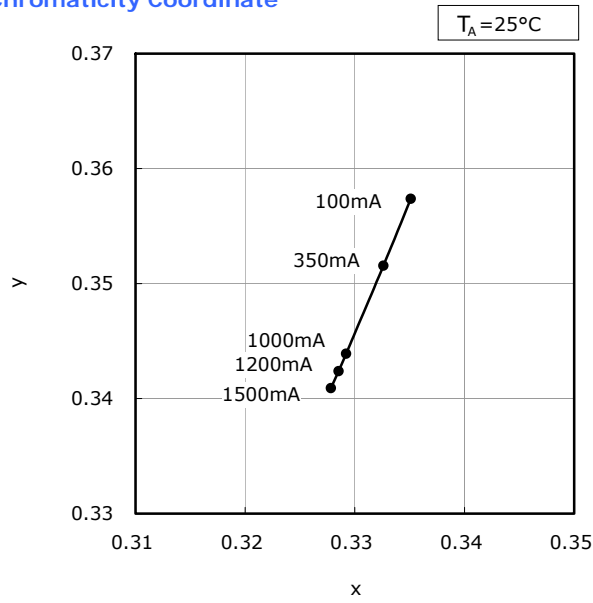


FORWARD CURRENT CHARACTERISTICS / TEMPERATURE CHARACTERISTICS

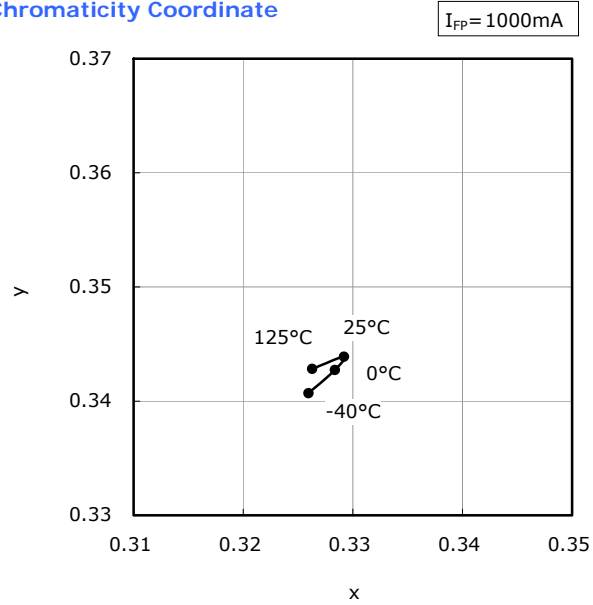
\* 本特性は参考です。  
All characteristics shown are for reference only and are not guaranteed.

NC2W170B  
管理番号 No. STS-DA7-5506B

順電流-色度 特性  
Forward Current vs  
Chromaticity Coordinate



周囲温度-色度 特性  
Ambient Temperature vs  
Chromaticity Coordinate



## RELIABILITY

## (1) Tests and Results

| Test  | Reference Standard     | Test Conditions   | Test Duration | Failure Criteria # | Units Failed/Tested |
|---|------------------------|---|---------------|--------------------|---------------------|
| Resistance to Soldering Heat (Reflow Soldering) | JEITA ED-4701 300 301  | $T_{\text{slid}}=260^{\circ}\text{C}$ , 10sec, 2reflows, Precondition: $30^{\circ}\text{C}$ , 70%RH, 168hr  |               | #1                 | 0/10                |
| Solderability (Reflow Soldering)                | JEITA ED-4701 303 303A | $T_{\text{slid}}=245\pm 5^{\circ}\text{C}$ , 5sec, Lead-free Solder(Sn-3.0Ag-0.5Cu)   |               | #2                 | 0/10                |
| Thermal Shock                                   | JEITA ED-4701 300 307  | $-40^{\circ}\text{C}$ to $125^{\circ}\text{C}$ , 1min dwell, 10sec transfer, Precondition: $30^{\circ}\text{C}$ , 70%RH, 168hr                    | 100cycles     | #1                 | 0/50                |
| Temperature Cycle                               | JEITA ED-4701 100 105  | $-40^{\circ}\text{C}(30\text{min})\sim 25^{\circ}\text{C}(5\text{min})\sim 125^{\circ}\text{C}(30\text{min})\sim 25^{\circ}\text{C}(5\text{min})$ | 100cycles     | #1                 | 0/10                |
| Moisture Resistance (Cyclic)                    | JEITA ED-4701 200 203  | $25^{\circ}\text{C}\sim 65^{\circ}\text{C}\sim -10^{\circ}\text{C}$ , 90%RH, 24hr per cycle   | 10cycles      | #1                 | 0/10                |
| High Temperature Storage                        | JEITA ED-4701 200 201  | $T_{\text{A}}=125^{\circ}\text{C}$  | 1000hours     | #1                 | 0/10                |
| Temperature Humidity Storage                    | JEITA ED-4701 100 103  | $T_{\text{A}}=85^{\circ}\text{C}$ , RH=85%  | 1000hours     | #1                 | 0/10                |
| Low Temperature Storage                         | JEITA ED-4701 200 202  | $T_{\text{A}}=-40^{\circ}\text{C}$  | 1000hours     | #1                 | 0/10                |
| Room Temperature Operating Life                 |                        | $T_{\text{A}}=25^{\circ}\text{C}$ , $I_{\text{F}}=1200\text{mA}$  | 1000hours     | #1                 | 0/10                |
| High Temperature Operating Life                 |                        | $T_{\text{A}}=125^{\circ}\text{C}$ , $I_{\text{F}}=350\text{mA}$  | 1000hours     | #1                 | 0/10                |
| Temperature Humidity Operating Life             |                        | $85^{\circ}\text{C}$ , RH=85%, $I_{\text{F}}=700\text{mA}$  | 1000hours     | #1                 | 0/10                |
| Low Temperature Operating Life                  |                        | $T_{\text{A}}=-40^{\circ}\text{C}$ , $I_{\text{F}}=1200\text{mA}$   | 1000hours     | #1                 | 0/10                |
| Permanence of Marking                           | JEITA ED-4701 500 501  | Isopropyl Alcohol, $23\pm 5^{\circ}\text{C}$ , Dipping Time: 5min   | 1time         | #1                 | 0/10                |
| Vibration                                       | JEITA ED-4701 400 403  | $200\text{m/s}^2$ , $100\sim 2000\sim 100\text{Hz}$ , 4cycles, 4min, each X, Y, Z   | 48minutes     | #1                 | 0/10                |
| Electrostatic Discharges                        | JEITA ED-4701 300 304  | HBM, 2kV, 1.5k $\Omega$ , 100pF, 3pulses, alternately positive or negative  |               | #1                 | 0/10                |

## NOTES:

- $R_{\theta\text{JA}}\approx 10^{\circ}\text{C/W}$
- Measurements are performed after allowing the LEDs to return to room temperature.

## (2) Failure Criteria

| Criteria # | Items                              | Conditions                   | Failure Criteria              |
|------------|------------------------------------|------------------------------|-------------------------------|
| #1         | Forward Voltage( $V_{\text{F}}$ )  | $I_{\text{F}}=1000\text{mA}$ | $> \text{U.S.L.} \times 1.1$  |
|            | Luminous Flux( $\Phi_{\text{V}}$ ) | $I_{\text{F}}=1000\text{mA}$ | $< \text{L.S.L.} \times 0.7$  |
| #2         | Solderability                      | -                            | Less than 95% solder coverage |

U.S.L. : Upper Specification Limit    L.S.L. : Lower Specification Limit

## CAUTIONS

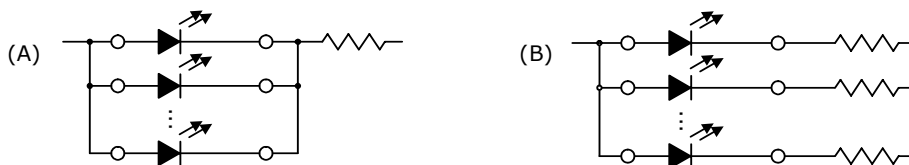
### (1) Storage

| Conditions |                             | Temperature                | Humidity              | Time                             |
|------------|-----------------------------|----------------------------|-----------------------|----------------------------------|
| Storage    | Before Opening Aluminum Bag | $\leq 30^{\circ}\text{C}$  | $\leq 90\% \text{RH}$ | Within 1 Year from Delivery Date |
|            | After Opening Aluminum Bag  | $\leq 30^{\circ}\text{C}$  | $\leq 70\% \text{RH}$ | $\leq 168 \text{hours}$          |
| Baking     |                             | $65 \pm 5^{\circ}\text{C}$ | -                     | $\geq 24 \text{hours}$           |

- Product complies with JEDEC MSL 3 or equivalent. See IPC/JEDEC STD-020 for moisture-sensitivity details.
- Absorbed moisture in LED packages can vaporize and expand during soldering, which can cause interface delamination and result in optical performance degradation. Products are packed in moisture-proof aluminum bags to minimize moisture absorption during transportation and storage.  
Included silica gel desiccants change from blue to red if moisture had penetrated bags.
- After opening the moisture-proof aluminum bag, the products should go through the soldering process within the range of the conditions stated above. Unused remaining LEDs should be stored with silica gel desiccants in a hermetically sealed container, preferably the original moisture-proof bags for storage.
- After the "Period After Opening" storage time has been exceeded or silica gel desiccants are no longer blue, the products should be baked. Baking should only be done once.
- Although the leads or electrode pads (anode and cathode) of the product are plated with gold, prolonged exposure to a corrosive environment might cause the gold plated the leads or electrode pads to tarnish, and thus leading to difficulties in soldering. If unused LEDs remain, they must be stored in a hermetically sealed container. Nichia recommends using the original moisture-proof bag for storage.
- Do not use sulfur-containing materials in commercial products. Some materials, such as seals and adhesives, may contain sulfur. The contaminated plating of LEDs might cause an open circuit. Silicone rubber is recommended as a material for seals. Bear in mind, the use of silicones may lead to silicone contamination of electrical contacts inside the products, caused by low molecular weight volatile siloxane.
- To prevent water condensation, please avoid large temperature and humidity fluctuations for the storage conditions.
- Do not store the LEDs in a dusty environment.
- Do not expose the LEDs to direct sunlight and/or an environment where the temperature is higher than normal room temperature.

### (2) Directions for Use

- When designing a circuit, the current through each LED must not exceed the Absolute Maximum Rating. Operating at a constant current per LED is recommended. In case of operating at a constant voltage, Circuit B is recommended. If the LEDs are operated with constant voltage using Circuit A, the current through the LEDs may vary due to the variation in Forward Voltage characteristics of the LEDs.



- This product should be operated using forward current. Ensure that the product is not subjected to either forward or reverse voltage while it is not in use. In particular, subjecting it to continuous reverse voltage may cause migration, which may cause damage to the LED die. When used in displays that are not used for a long time, the main power supply should be switched off for safety.
- It is recommended to operate the LEDs at a current greater than 10% of the sorting current to stabilize the LED characteristics.
- Ensure that excessive voltages such as lightning surges are not applied to the LEDs.
- For outdoor use, necessary measures should be taken to prevent water, moisture and salt air damage.



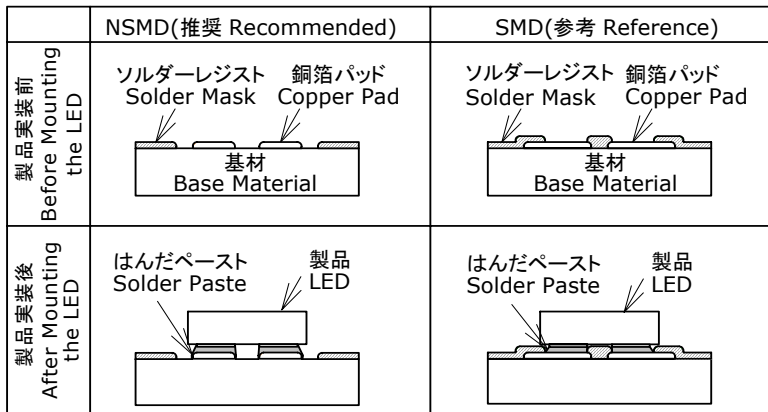
### (3) Handling Precautions

- Do not handle the LEDs with bare hands as it will contaminate the LED surface and may affect the optical characteristics: it might cause the LED to be deformed and/or the bump to break, which will cause the LED not to illuminate.
- When handling the product with tweezers, be careful not to apply excessive force to the resin. Otherwise, The resin can be cut, chipped, delaminate or deformed, causing bump-bond breaks and catastrophic failures.
- Dropping the product may cause damage.
- Do not stack assembled PCBs together. Failure to comply can cause the resin portion of the product to be cut, chipped, delaminated and/or deformed. It may cause bump to break, leading to catastrophic failures.

### (4) Design Consideration

- PCB warpage after mounting the products onto a PCB can cause the package to break.  
The LED should be placed in a way to minimize the stress on the LEDs due to PCB bow and twist.
- The position and orientation of the LEDs affect how much mechanical stress is exerted on the LEDs placed near the score lines.  
The LED should be placed in a way to minimize the stress on the LEDs due to board flexing.
- Board separation must be performed using special jigs, not using hands.
- When using an aluminum base PCB, verify that the PCB will not cause any malfunctions to the LED.  
Thermal stress during use can cause the solder joints to crack.  
Ensure an insulating layer with a low modulus of elasticity is used for the insulating layer of the aluminum base PCB.
- Ensure that the chosen land pattern has a solder mask which does not cover the copper pads that the LED will be attached to or the area underneath the LED.

(Non Solder Mask Defined [NSMD] pads are recommended, see the figure below.)



### (5) Electrostatic Discharge (ESD)

- The products are sensitive to static electricity or surge voltage. ESD can damage a die and its reliability.  
When handling the products, the following measures against electrostatic discharge are strongly recommended:
  - Eliminating the charge
  - Grounded wrist strap, ESD footwear, clothes, and floors
  - Grounded workstation equipment and tools
  - ESD table/shelf mat made of conductive materials
- Ensure that tools, jigs and machines that are being used are properly grounded and that proper grounding techniques are used in work areas. For devices/equipment that mount the LEDs, protection against surge voltages should also be used.
- If tools or equipment contain insulating materials such as glass or plastic, the following measures against electrostatic discharge are strongly recommended:
  - Dissipating static charge with conductive materials
  - Preventing charge generation with moisture
  - Neutralizing the charge with ionizers
- The customer is advised to check if the LEDs are damaged by ESD when performing the characteristics inspection of the LEDs in the application.  
Damage can be detected with a forward voltage measurement or a light-up test at low current ( $\leq 1\text{mA}$ ).
- ESD damaged LEDs may have current flow at a low voltage or no longer illuminate at a low current.  
Failure Criteria:  $V_F < 4.0\text{V}$  at  $I_F = 0.5\text{mA}$

## (6) Thermal Management

- Proper thermal management is an important when designing products with LEDs. LED die temperature is affected by PCB thermal resistance and LED spacing on the board. Please design products in a way that the LED die temperature does not exceed the maximum Junction Temperature ( $T_j$ ).
- Drive current should be determined for the surrounding ambient temperature ( $T_A$ ) to dissipate the heat from the product.

## (7) Cleaning

- The LEDs should not be cleaned with water, benzine, and/or thinner.
- If required, isopropyl alcohol (IPA) should be used. Other solvents may cause premature failure to the LEDs due to the damage to the resin portion. The effects of such solvents should be verified prior to use. In addition, the use of CFCs such as Freon is heavily regulated.
- When dust and/or dirt adheres to the LEDs, soak a cloth with Isopropyl alcohol (IPA), then squeeze it before wiping the LEDs.
- Ultrasonic cleaning is not recommended since it may have adverse effects on the LEDs depending on the ultrasonic power and how LED is assembled. If ultrasonic cleaning must be used, the customer is advised to make sure the LEDs will not be damaged prior to cleaning.

## (8) Eye Safety

- In 2006, the International Electrical Commission (IEC) published IEC 62471:2006 Photobiological safety of lamps and lamp systems, which added LEDs in its scope. On the other hand, the IEC 60825-1:2007 laser safety standard removed LEDs from its scope. However, please be advised that some countries and regions have adopted standards based on the IEC laser safety standard IEC 60825-1:20112001, which still includes LEDs in its scope. Most of Nichia's LEDs can be classified as belonging into either the Exempt Group or Risk Group 1. High-power LEDs, that emit light containing blue wavelengths, may be classified as Risk Group 2. Please proceed with caution when viewing directly any LEDs driven at high current, or viewing LEDs with optical instruments which may greatly increase the damages to your eyes.
- Viewing a flashing light may cause eye discomfort. When incorporating the LED into your product, please be careful to avoid adverse effects on the human body caused by light stimulation.

## (9) Others

- The LEDs described in this brochure are intended to be used for ordinary electronic equipment (such as office equipment, communications equipment, measurement instruments and household appliances). Consult Nichia's sales staff in advance for information on the applications in which exceptional quality and reliability are required, particularly when the failure or malfunction of the LEDs may directly jeopardize life or health (such as for airplanes, aerospace, submersible repeaters, nuclear reactor control system, automobiles, traffic control equipment, life support systems and safety devices).
- The customer shall not reverse engineer by disassembling or analysis of the LEDs without having prior written consent from Nichia. When defective LEDs are found, the customer shall inform Nichia directly before disassembling or analysis.
- The specifications and appearance of this product may change without notice; Nichia does not guarantee the contents of this specification. Both the customer and Nichia will agree on the official specifications of supplied products before the volume production of a program begins.