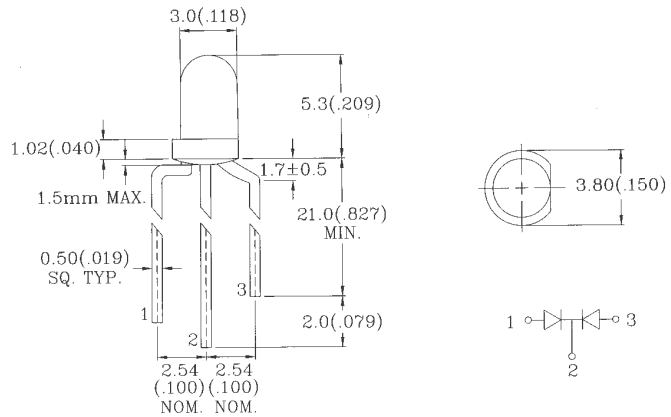
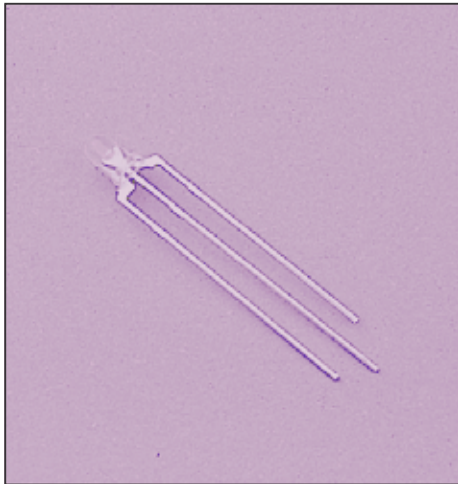
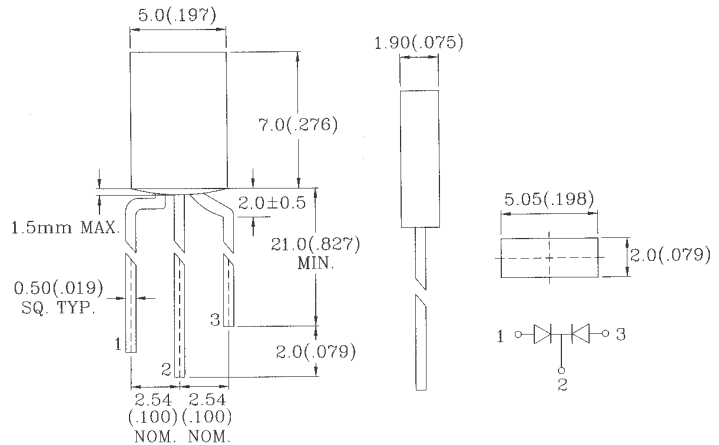
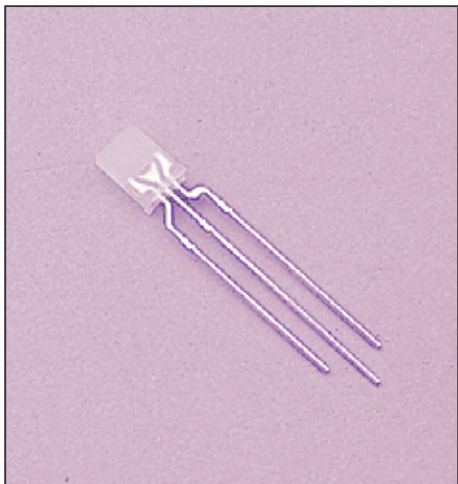


L-319XX 3.0mm Dia LED LAMP, MULTI-COLOR



Part No.	Chip		Lens Color	Wave Length λ p(nm)	Electro-Optical Characteristics			View Angle (deg)
	Raw Material	Emitted Color			Vf(V)20mA		lv(mcd)20mA	
					Typ.	Max.	Typ.	
L-319HGW	GaP	Red	White Diffused	700	2.3	2.8	8.0	60
	GaP	Green		565	2.2	2.8	18.0	
L-319EGW	GaAsP/GaP	Hi. effi Red	White Diffused	635	2.1	2.8	30.0	60
	GaP	Green		565	2.2	2.8	18.0	
L-319GYW	GaP	Green	White Diffused	565	2.2	2.8	18.0	60
	GaAsP/GaP	Yellow		585	2.1	2.8	15.0	
L-319LESGW	GaAlInP	Super Red	White Diffused	625	2.0	2.4	100	60
	GaP	Green		565	2.2	2.8	20.0	

L-409XX 2.0x5.0x7.0 mm RECTANGULAR LED LAMP, MULTI-COLOR



Part No.	Chip		Lens Color	Wave Length λ p(nm)	Electro-Optical Characteristics			View Angle (deg)
	Raw Material	Emitted Color			Vf(V)20mA		lv(mcd)20mA	
					Typ.	Max.	Typ.	
L-409HGW	GaP	Red	White Diffused	700	2.3	2.8	1.5	120
	GaP	Green		565	2.1	2.8	3.0	
L-409EGW	GaAsP/GaP	Hi. effi Red	White Diffused	635	2.1	2.8	6.0	120
	GaP	Green		565	2.2	2.8	3.5	
L-409GYW	GaP	Green	White Diffused	565	2.1	2.8	3.5	120
	GaAsP/GaP	Yellow		585	2.1	2.8	3.5	
L-409LESGW	GaAlInP	Super Red	White Diffused	625	2.0	2.4	15.0	120
	GaP	Green		565	2.2	2.8	6.5	

- 1.All dimension are in millimeters (inches).
- 2.Tolerance is ± 0.25 mm (0.01") unless otherwise specified.