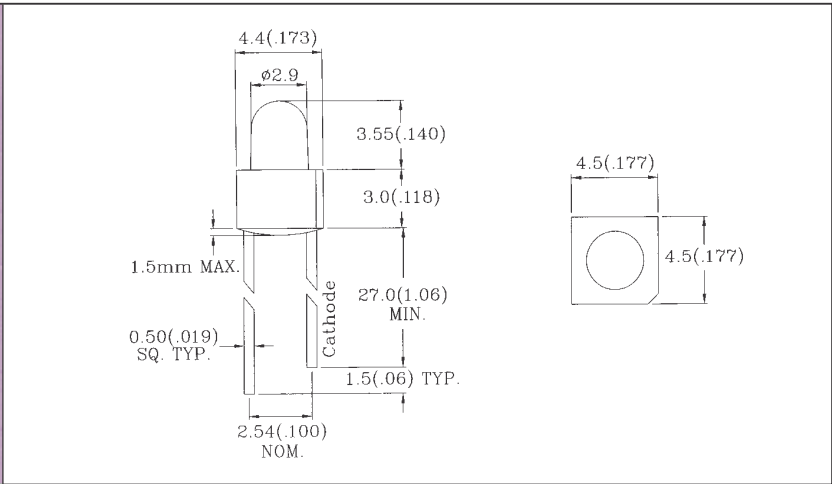
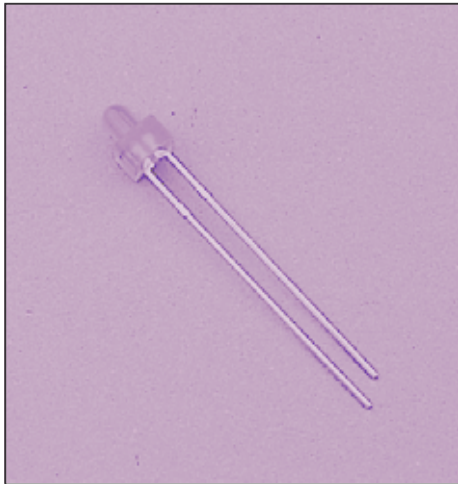
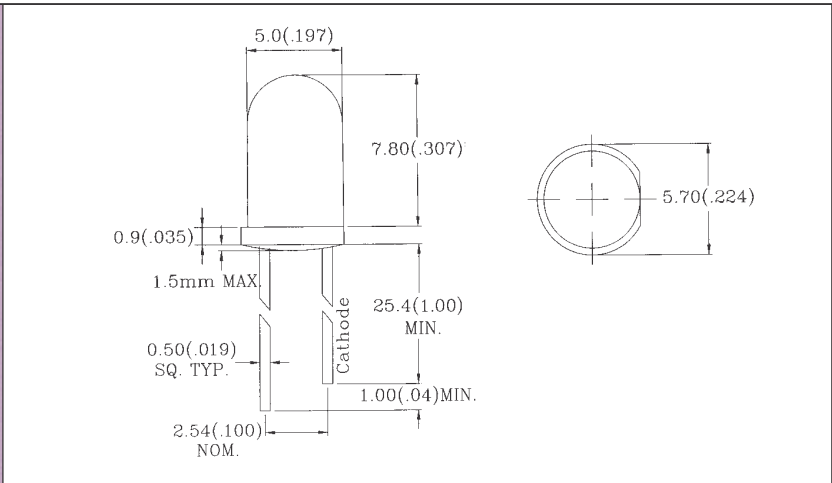
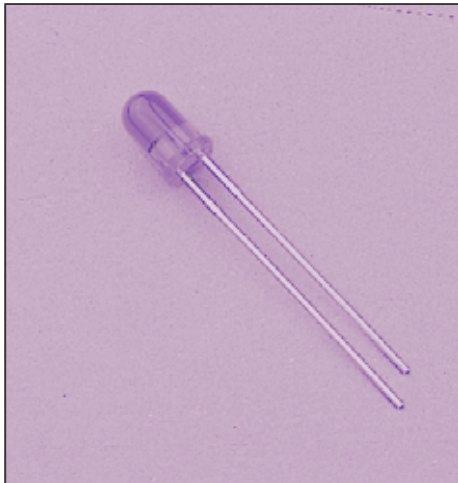


L-297XX-F 3.0mm Dia BLINKING LED LAMP (FREQUENCY 2.4 Hz)



Part No.	Chip		Lens Color	Wave Length λ p(nm)	Electro-Optical Characteristics			View Angle (deg)
	Raw Material	Emitted Color			Vf(V)20mA		lv(mcd)20mA	
					Typ.	Max.	Typ.	
L-297HD-F	GaP	Red	Red Diffused	700	3.0	12	4.0	120
L-297GD-F	GaP	Green	Green Diffused	565	3.0	12	5.0	120
L-297YD-F	GaAsP/GaP	Yellow	Yellow Diffused	585	3.0	12	4.0	120
L-297ED-F	GaAsP/GaP	Hi.effi Red	Red Diffused	635	3.0	12	8.0	120
L-297SRD-F	GaAlAs	Super Red	Red Diffused	660	3.0	12	10.0	120

L-517XX-F 5.0mm Dia BLINKING LED LAMP (FREQUENCY 2.4 Hz)



Part No.	Chip		Lens Color	Wave Length λ p(nm)	Electro-Optical Characteristics			View Angle (deg)
	Raw Material	Emitted Color			Vf(V)20mA		lv(mcd)20mA	
					Typ.	Max.	Typ.	
L-517HD-F	GaP	Red	Red Diffused	700	5.0	12	5.0	120
L-517GD-F	GaP	Green	Green Diffused	565	5.0	12	6.0	120
L-517YD-F	GaAsP/GaP	Yellow	Yellow Diffused	585	5.0	12	5.0	120
L-517ED-F	GaAsP/GaP	Hi.effi Red	Red Diffused	635	5.0	12	10.0	120
L-517SRD-F	GaAlAs	Super Red	Red Diffused	660	5.0	12	15.0	120

- 1.All dimension are in millimeters (inches).
- 2.Tolerance is ± 0.25 mm (0.01") unless otherwise specified.