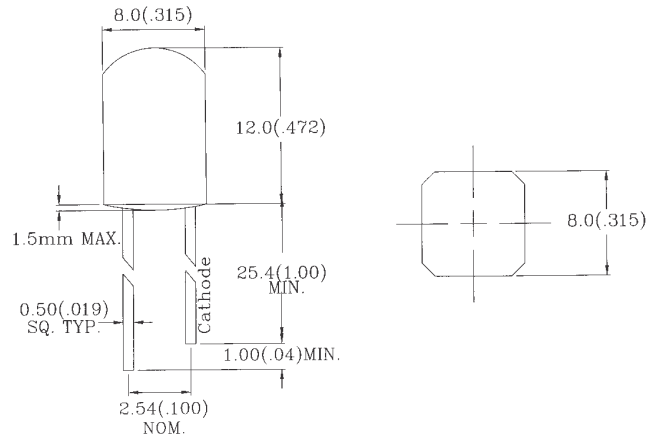
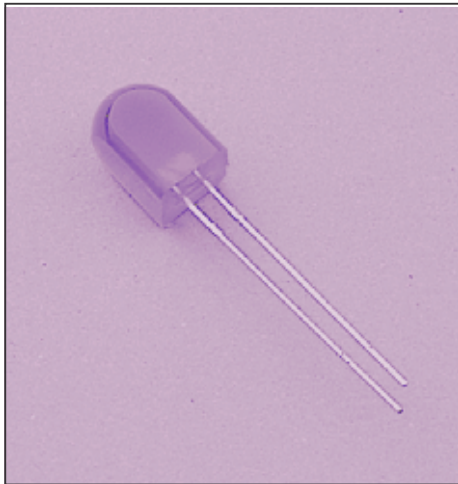
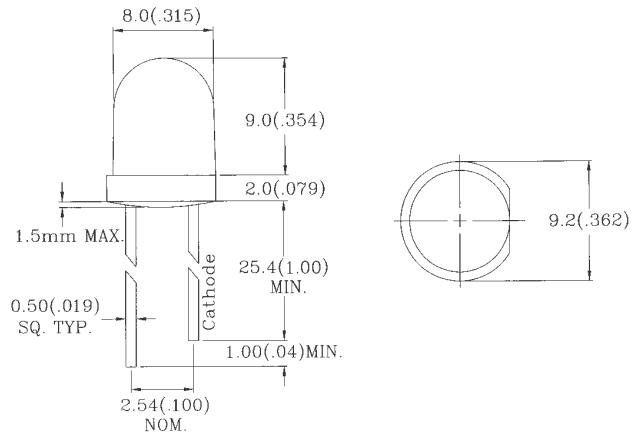
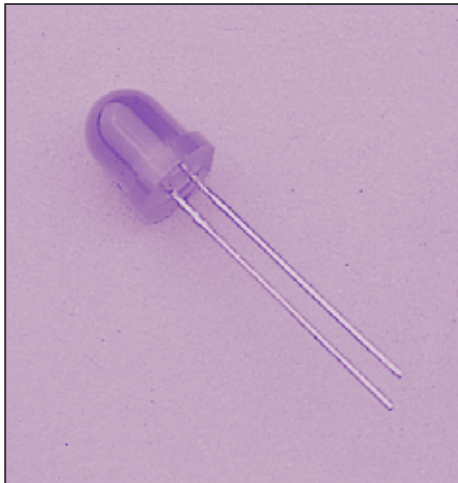


L-803XX 8.0x8.0 mm RECTANGULAR ROUND HEAD LED LAMP



Part No.	Chip		Lens Color	Wave Length λ p(nm)	Electro-Optical Characteristics			View Angle (deg)
	Raw Material	Emitted Color			Vf(V)20mA		lv(mcd)20mA	
					Typ.	Max.	Typ.	
L-803HD	GaP	Red	Red Diffused	700	2.3	2.8	4.0	150
L-803GD	GaP	Green	Green Diffused	565	2.2	2.8	10.0	150
L-803YD	GaAsP/GaP	Yellow	Yellow Diffused	585	2.1	2.8	9.0	150
L-803ED	GaAsP/GaP	Hi. effi Red	Red Diffused	635	2.1	2.8	18.0	150
L-803SRD	GaAlAs	Super Red	Red Diffused	660	1.8	2.2	25.0	150

L-813XX 8.0 mm Dia LED LAMP



Part No.	Chip		Lens Color	Wave Length λ p(nm)	Electro-Optical Characteristics			View Angle (deg)
	Raw Material	Emitted Color			Vf(V)20mA		lv(mcd)20mA	
					Typ.	Max.	Typ.	
L-813HD	GaP	Red	Red Diffused	700	2.3	2.8	4.0	150
L-813GD	GaP	Green	Green Diffused	565	2.2	2.8	10.0	150
L-813YD	GaAsP/GaP	Yellow	Yellow Diffused	585	2.1	2.8	9.0	150
L-813ED	GaAsP/GaP	Hi. effi Red	Red Diffused	635	2.1	2.8	18.0	150
L-813SRD	GaAlAs	Super Red	Red Diffused	660	1.8	2.2	25.0	150

- 1.All dimension are in millimeters (inches).
- 2.Tolerance is ± 0.25 mm (0.01") unless otherwise specified.