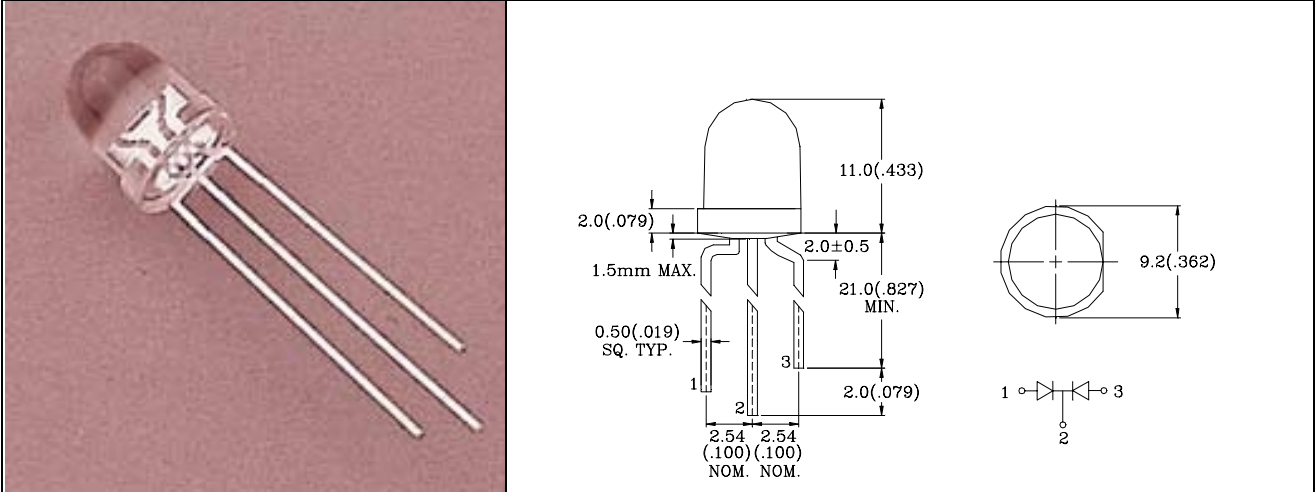


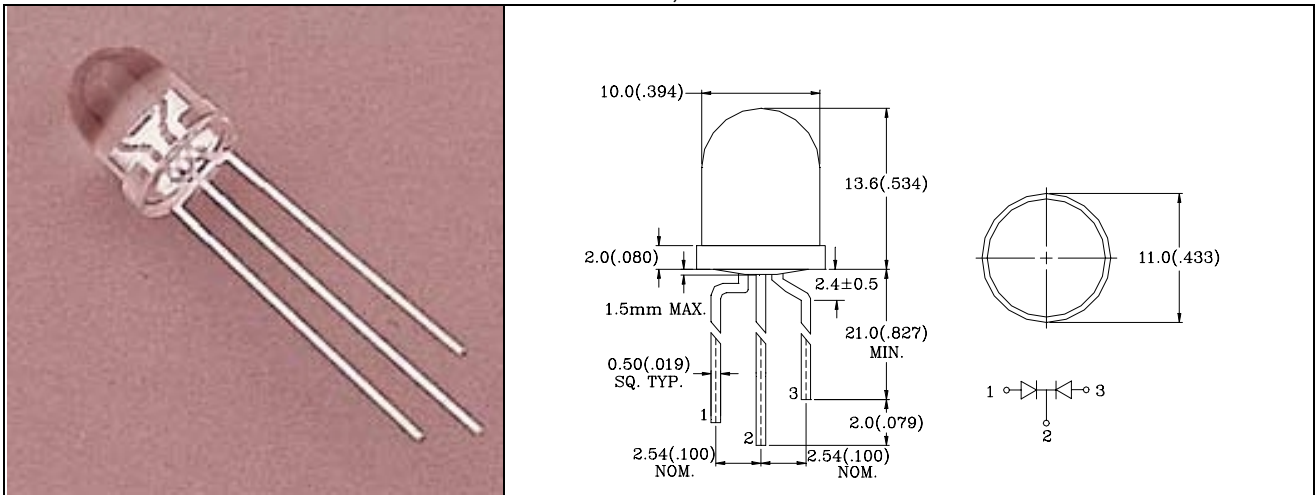


L-819XX 8.0mm Dia LED LAMP, MULTI-COLOR



Part No.	Chip		Lens Color	Wave Length λ p(nm)	Electro-Optical Characteristics			View Angle (deg)
	Raw Material	Emitted Color			Vf(V)20mA		Iv(mcd)10mA	
					Typ.	Max.	Typ.	
L-819EGW	GaAsP/GaP	Hi.effi Red	White Diffused	635	2.0	2.8	20.0	60
	GaP	Green		565	2.1	2.8	15.0	
L-819EYW	GaAsP/GaP	Hi.effi Red	White Diffused	635	2.0	2.8	20.0	60
	GaAsP/GaP	Yellow		585	2.1	2.8	15.0	
L-819GYW	GaP	Green	White Diffused	565	2.1	2.8	15.0	60
	GaAsP/GaP	Yellow		585	2.1	2.8	15.0	
L-819LESGW	GaAlInP	Super Red	White Diffused	625	2.0	2.4	150	60
	GaP	Green		565	2.1	2.8	50.0	

L-839XX 10.0mm Dia LED LAMP, MULTI-COLOR



Part No.	Chip		Lens Color	Wave Length λ p(nm)	Electro-Optical Characteristics			View Angle (deg)
	Raw Material	Emitted Color			Vf(V)20mA		Iv(mcd)10mA	
					Typ.	Max.	Typ.	
L-839EGW	GaAsP/GaP	Hi.effi Red	White Diffused	635	2.0	2.8	20.0	60
	GaP	Green		565	2.1	2.8	15.0	
L-839EYW	GaAsP/GaP	Hi.effi Red	White Diffused	635	2.0	2.8	20.0	60
	GaAsP/GaP	Yellow		585	2.1	2.8	15.0	
L-839GYW	GaP	Green	White Diffused	565	2.1	2.8	15.0	60
	GaAsP/GaP	Yellow		585	2.1	2.8	15.0	
L-839LESGW	GaAlInP	Super Red	White Diffused	625	2.0	2.4	150	60
	GaP	Green		565	2.1	2.8	50.0	

- All dimension are in millimeters (inches).
- Tolerance is ± 0.25 mm (0.01") unless otherwise specified.