

## GM5WA06260A

## Chip LED

### Built-in 3-chip, Super-luminosity Chip LED

#### Features

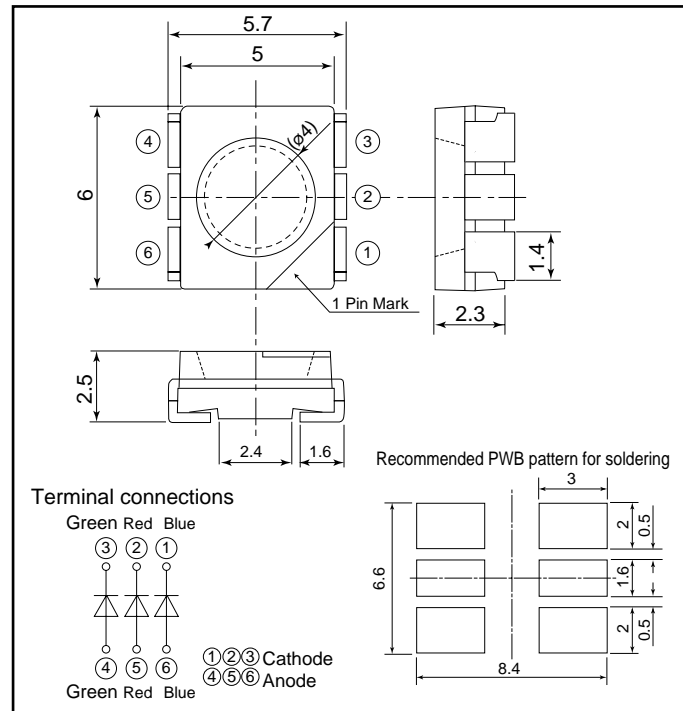
- (1) Super-luminosity chip LED
- (2) Built-in Blue, Green, Red LED chip
- (3) Using a package with high heat dissipation properties, it can be driven with a large current ( $I_F=40$  mA)
- (4) Reduction of power consumption and adjusting each color is possible thanks to serial connection by 6 terminal connection (Individual driving by each terminal) in case of using several number of LED
- (5) Wide viewing angle ( $2\theta$  1/2):  $120^\circ$
- (6) Surface-mount, leadless chip LED device
- (7) Outline dimensions:  $6.0 \times 5.0 \times 2.5$  mm
- (8) Lead frame package with individual 6 pin
- (9) Taped product (800 pcs/reel)

#### Applications

- (1) Amusement equipment
- (2) Information boards

#### Outline Dimensions

(Unit:mm)



#### Absolute Maximum Ratings

( $T_a=25^\circ\text{C}$ )

Model No.	Radiation color	Radiation material	Power dissipation $P^*1$ (mW)	Forward current $I_F$ (mA)	Peak forward current $I_{FM}^{*2}$ (mA)	Derating factor (mA/ $^\circ\text{C}$ )		Reverse voltage $V_R$ (V)	Operating temperature $T_{opr}$ ( $^\circ\text{C}$ )	Storage temperature $T_{sig}$ ( $^\circ\text{C}$ )	Soldering temperature $T_{sol}^{*3}$ ( $^\circ\text{C}$ )
						DC	Pulse				
GM5WA06260A	Blue	InGaN	400	50	80	0.83	1.33	5	-30 to +85	-40 to +85	295
	Green	InGaN		50	80	0.83	1.33	5	-30 to +85	-40 to +85	295
	Red	AlGaInP		40	80	0.83	1.33	5	-30 to +85	-40 to +85	295

\*1 Within 400 mW at all chips are lightened.

\*2 Duty ratio=1/10, Pulse width=0.1ms.

\*3 For 3s or less at the temperature of hand soldering.

#### Electro-optical Characteristics

( $T_a=25^\circ\text{C}$ )

Lens type	Model No.	Radiation color	Forward voltage $V_F$ (V)			Dominant wavelength		Luminous intensity (mixed color)		Reverse current	
			TYP	MAX	$I_F$ (mA)	$\lambda_d$ (nm) TYP	$I_F$ (mA)	$I_v$ (mcd) TYP	$I_F$ (mA)	$I_R$ ( $\mu\text{A}$ ) MAX	$V_R$ (V)
Colorless transparency	GM5WA06260A	Blue	4.6	5.2	35	469	40	1 725	20	100	4
		Green	4.4	5.2	35	520	40		40	100	4
		Red	2.3	2.9	35	617	40		40	100	4

(Notice)

•In the absence of confirmation by device specification sheets, SHARP takes no responsibility for any defects that may occur in equipment using any SHARP devices shown in catalogs, data books, etc. Contact SHARP in order to obtain the latest device specification sheets before using any SHARP device.

•Specifications are subject to change without notice for improvement.

(Internet)

•Data for Sharp's optoelectronic is provided on internet. (Address <http://sharp-world.com.ecg/>)

As of July 2002