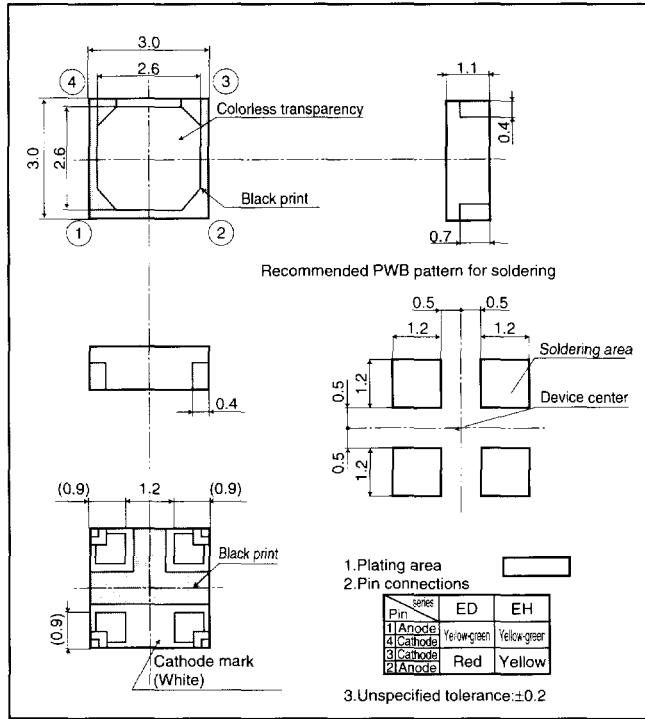


LT1□□92A series

3030 Size, 1.1mm Thickness, MID* Type Dichromatic Leadless Chip LED Devices

Outline Dimensions

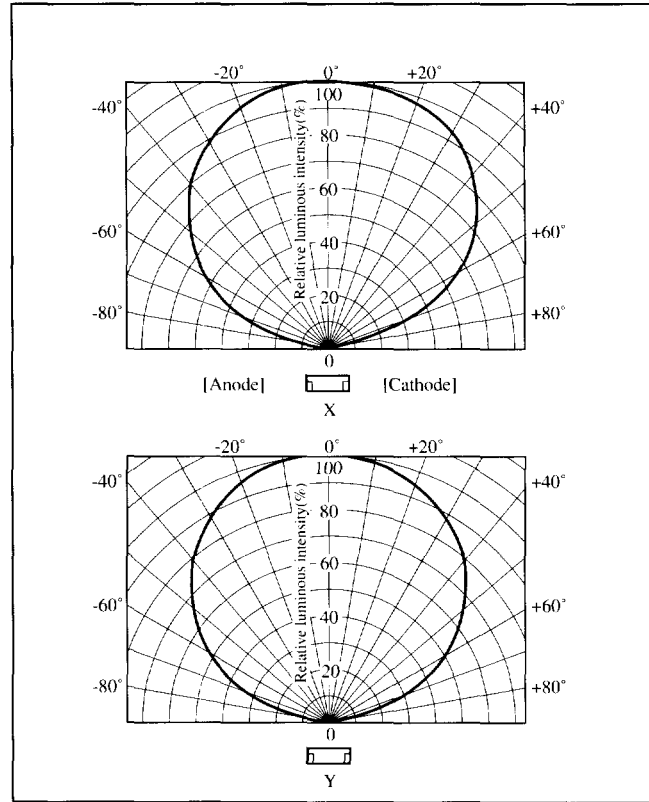
(Unit : mm)



*MID: Molded Interconnection Device

Radiation Diagram

(T_a=25°C)



Absolute Maximum Ratings¹

(T_a=25°C)

Model No.	Radiation color	Radiation material	Power dissipation P (mW)	Forward current I _F (mA)	Peak forward current I _{FM} ² (mA)	Derating factor (mA/°C)		Reverse voltage V _R (V)	Operating temperature T _{opr} (°C)	Storage temperature T _{stg} (°C)	Soldering temperature T _{sol} ³ (°C)
						DC	Pulse				
LT1ED92A	Yellow-green	GaP	84	30	50	0.40	0.67	5	-25 to +85	-25 to +100	260
	Red	GaAsP on GaP	84	30	50	0.40	0.67	5	-25 to +85	-25 to +100	260
LT1EH92A	Yellow-green	GaP	84	30	50	0.40	0.67	5	-25 to +85	-25 to +100	260
	Yellow	GaAsP on GaP	84	30	50	0.40	0.67	5	-25 to +85	-25 to +100	260

¹ The value is specified under the condition that either color is lightened separately. When the both diodes are lightened simultaneously, the power dissipation of each diode should be less than the half of the value specified in this table.

² Duty ratio=1/10, Pulse width=0.1ms

³ For 3s or less at the temperature of hand soldering. Temperature of reflow soldering is shown on the page 7.

Electro-optical Characteristics

(T_a=25°C)

Lens type	Model No.	Radiation color	Forward voltage V _F (V)		Peak emission wavelength λ _p (nm)		Luminous intensity		Spectrum radiation bandwidth		Reverse current		Terminal capacitance		Page for characteristics diagrams
			TYP	MAX	TYP	I _F (mA)	I _v (mcd)	I _F (mA)	Δλ(nm)	I _F (mA)	I _r (μA)	V _R (V)	C _t (pF)	(MHz)	
Colorless transparency	LT1ED92A	Yellow-green	2.2	2.8	565	20	32.0	20	30	20	10	4	8	1	140
		Red	2.0	2.8	635	20	16.0	20	35	20	10	4	20	1	138
	LT1EH92A	Yellow-green	2.2	2.8	565	20	32.0	20	30	20	10	4	8	1	140
		Yellow	2.0	2.8	585	20	16.0	20	30	20	10	4	35	1	139

LED Lamp