

SURFACE MOUNT LED

▼1101W · 1102W · 1201W · 1204W CHARACTERISTICS BY COLOR

Ta=25°C

Type No.	Material Emitted Color	Absolute Maximum Ratings							Electro-Optical Characteristics							
		Power Dissipation * Pd	Forward Current * If	Peak Forward Current * Ifm	Reverse Voltage Vr	Operating Temperature Topr	Storage Temperature Tstg	% I Derating dfr	Forward Voltage Vf			Reverse Current Ir		Wavelength Central Wavelength λc		IF
									TYP.	MAX.	IF	MAX.	IF	TYP.	IF	
BR	GaAlAs (Red)	60	30	70	4	-30~+85	-30~+90	0.42	1.7	2.0	20	100	4	660	30	20
AA	GaAsP / GaP (Orange)	75	30	70	4	-30~+85	-30~+90	0.42	2.2	2.5	20	100	4	605	30	20
AY	GaAsP / GaP (Yellow)	75	30	70	4	-30~+85	-30~+90	0.42	2.2	2.5	20	100	4	580	30	20
PY	GaP (Yellow)	75	30	70	4	-30~+85	-30~+90	0.42	2.1	2.5	20	100	4	570	30	20
PG	GaP (Green)	75	30	70	4	-30~+85	-30~+90	0.42	2.1	2.5	20	100	4	560	30	20
BG	GaP (Pure Green)	75	30	70	4	-30~+85	-30~+90	0.42	2.1	2.5	20	100	4	555	30	20

● IFM condition : $t_w \leq 1\text{msec}$ and duty cycle $\leq 1/20$

* Absolute maximum ratings required by the LED with 2 chips inside and driven simultaneously are : Pd=75mW, IFM=70mA

*1 The current derating for operation applies when the temperature is above 25°C.

▼CHARACTERISTICS BY SHAPE

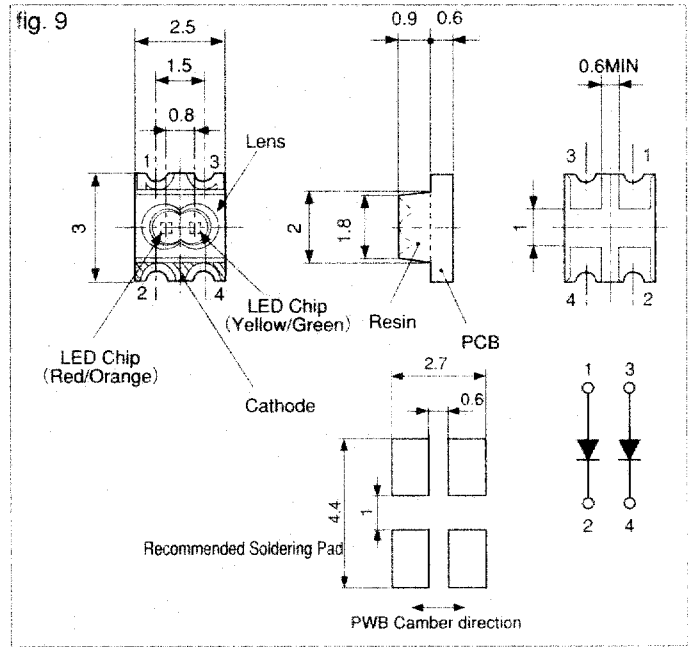
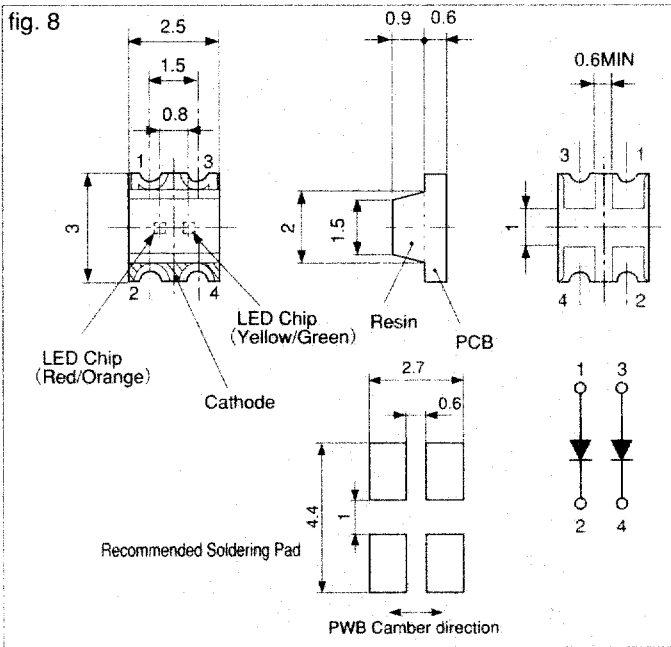
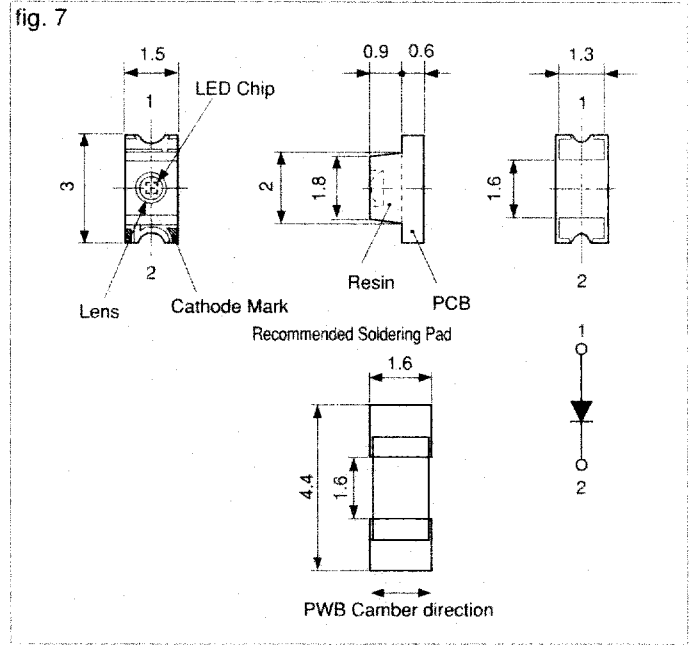
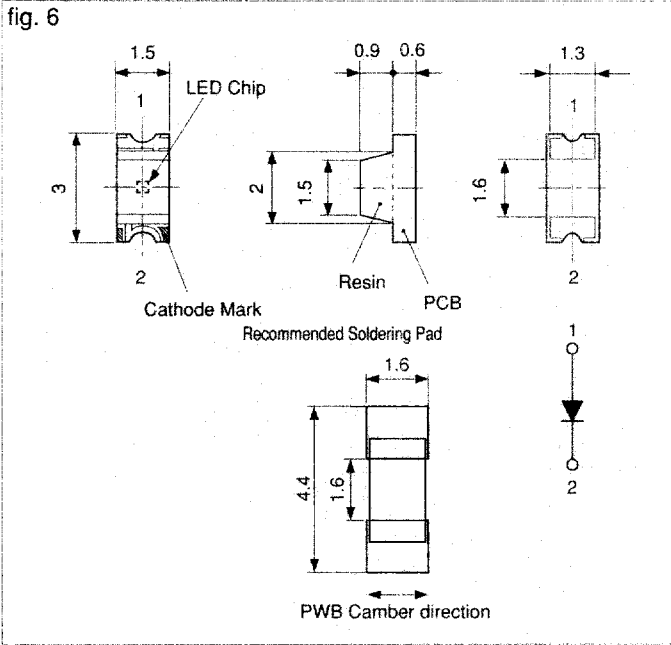
Ta=25°C

Lens Type	Shape	Type No.	Emitted Color	Lens	Peak Wave Length (nm)	Luminous Intensity (mcd)			Spatial Distribution (The typical distribution diagrams of each shape is shown below)	If
						MIN	TYP.	IF(MA)		
Flat lens type		BR1101W	Red	Water Clear	660	1.6	4.5	20		6
		AA1101W	Orange		605	1	3.6	20		
		AY1101W	Yellow		580	2	3.2	20		
		PY1101W	Yellow		570	1.4	4	20		
		PG1101W	Green		560	1.2	3	20		
		BG1101W	Pure Green		555	0.7	1.4	20		
Inner-lens type		BR1102W	Red	Water Clear	660	6	17	20		7
		AA1102W	Orange		605	5	9	20		
		AY1102W	Yellow		580	3	6	20		
		PY1102W	Yellow		570	6	12	20		
		PG1102W	Green		560	3	7.5	20		
		BG1102W	Pure Green		555	0.9	2.3	20		
Flat lens type		BRPY1201W	Red	Water Clear	660	1.6	4.5	20		8
		BRPG1201W	Green		560	1.2	3	20		
		BRBG1201W	Pure Green		555	0.7	1.4	20		
		AAPY1201W	Yellow		570	1.4	4	20		
		BRPY1204W	Red		660	6	17	20		
		BRPY1204W	Yellow		570	6	12	20		
2 lens		BRPG1204W	Green	Water Clear	560	3	7.5	20		9
		BRBG1204W	Pure Green		555	0.9	2.3	20		
		AAPY1204W	Orange		605	5	9	20		
		AAPY1204W	Yellow		570	6	12	20		
		BRBG1204W	Red		660	6	17	20		

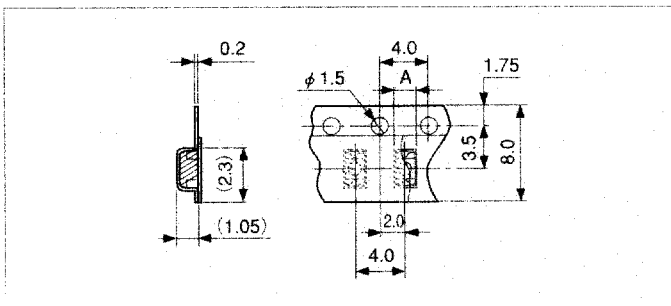


▼PACKAGE DIMENSIONS Unit : mm

Tolerance : ±0.2mm



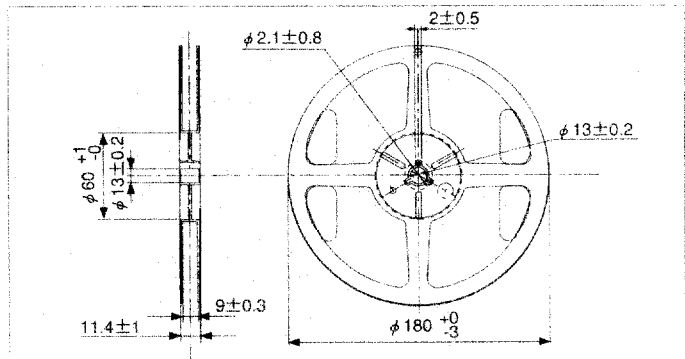
▼Taping specification Unit : mm



A Dimension
(Tolerance : ±0.1)

1 Chip	(1.8)
4 Chips	(2.8)

▼Reel specification Unit : mm



Quantity :Pcs Reel

2,500
2,500

2